

USER MANUAL

PUS43A (SN43UNA01.0)

PUS55A (SN55UNA01.0)

VI.01

Table Of Contents

SAFETY INSTRUCTIONS	4
CONSIGNES DE SÉCURITÉ	5
安全指示.....	6
GENERAL USER INFORMATION	7
POWER MANAGEMENT	7
WHAT'S IN THE BOX	8
Package Contents.....	8
MOVING THE DISPLAY	10
Unpacking the Display.....	10
Carrying the Display.....	13
Placing the Display	13
Setting Down the Display.....	14
MOUNTING THE DISPLAY	15
Adjusting Directions.....	15
Wall Mount Instructions.....	16
SETTING UP THE DISPLAY	21
Main Components.....	21
Installing the Cable Routing Hooks	23
Adhering the Side Chassis Stickers.....	24
Connecting the Power Cable and Adapter	25
CONNECTING THE DISPLAY	27
Using the HDMI 1 / 2 Ports.....	27
Using the USB 2.0 Port.....	28
Using the LAN RJ45 Port.....	29
Using the RS232 Port.....	30
Connecting External Speakers	30
THE REMOTE CONTROL	31
Remote Control Overview	31
Installing the Remote Control Batteries.....	33
Using the Remote Control	34

Setting Up the IR Extender.....	35
ON SCREEN DISPLAY (OSD) MENU.....	37
Navigating the OSD Menu	37
OSD Menu Overview	38
TROUBLESHOOTING.....	44
APPENDIX A: COMMANDS LIST	46
限用物質含有情況標示聲明書 Declaration of the Presence Condition of the Restricted Substances Marking (For Taiwan BSMI).....	48
APPENDIX B: HDMI CEC	49
One Touch Play	49
System Standby	49
Remote Control Pass Through	49
APPENDIX C: SPECIFICATIONS.....	50

SAFETY INSTRUCTIONS

Please carefully read through and keep the following instructions for future reference before using the display.

- Please follow the instructions in this document.
- Make sure to check that the local power supply complies with the display's power requirements.
- If using Class I adapter, power cord should be connected to a socket outlet with earthing connection.
- Do not block the ventilation holes on the rear of display and ensure there is enough space around the display to allow for heat dissipation.
- Do not open the rear cover. Damage caused by improper use is not covered by warranty.
- Our company's software products are copyrighted. Do not copy without authorization.
- Overexposure to direct sunlight can cause damage over time and a strong reflection will disturb the user's experience when viewing content on the display.
- Do not install near any heat source, such as radiators, heaters, stoves, or any other products that may generate heat (including sound amplifiers).
- Do not install the display on platforms or carts that are unstable, slanted, or shaky. It may cause the display to fall, injuring people around it and damaging the display itself. We suggest consulting with professionals in the securing of the display.
- Always comply with all warnings and instructions labels on the display.
- Do not install the display in a confined environment.
- If you want to mount the display in a recessed TV wall mount, make sure to leave enough space around the display to ensure good ventilation and to avoid operation at an abnormal temperature.
- Avoid excessive pressure or temperature changes as special liquid-crystal material in the display may result in cracks, scratches, or damage.
- When the display's power is on, do not cover or block any of the display's ventilation pores. It is suggested to periodically clean the display's ventilation pores to ensure heat dissipation.
- Keep candles or other flammable items away from the display to avoid risks of fire.
- Do not stick your finger or other objects in-between the display and its stand base or its neighboring area in order to avoid harming yourself or damaging the display.
- Do not press upon the display with too great a force so as to avoid damaging the product.
- ONLY USE accessories specified by the manufacturer.
- Never attempt to repair or open the display by yourself. Opening and removing the covers may expose you to dangerous voltage or other hazards. Failure to follow this WARNING may result in death or serious injury. Please contact your dealer or a service technician for assistance.
- Hold the display by the sides firmly with two people when carrying the display out of the box.
- Disconnect all power sources before removing the rear cover for repairs.

CONSIGNES DE SÉCURITÉ

Veillez lire attentivement les instructions suivantes et les conserver pour référence future avant d'utiliser l'écran.

- Veillez suivre les instructions du manuel d'utilisation de l'écran.
- Assurez-vous que l'alimentation électrique locale est conforme aux exigences d'alimentation de l'écran.
- Si vous utilisez un adaptateur de classe I, le cordon d'alimentation doit être connecté à une prise de courant avec connexion de mise à la terre.
- N'obstruez pas les trous de ventilation de l'écran et assurez-vous qu'il y a suffisamment d'espace autour de l'écran pour permettre la dissipation de la chaleur.
- N'ouvrez pas le capot arrière. Les dommages causés par une mauvaise utilisation ne sont pas couverts par la garantie.
- Les produits logiciels de notre société sont protégés par le droit d'auteur. Ne copiez pas sans autorisation.
- Une surexposition à la lumière directe du soleil peut causer des dommages au fil du temps et une forte réflexion perturbera l'expérience de l'utilisateur lors de la visualisation du contenu sur l'écran.
- Ne l'installez pas à proximité d'une source de chaleur, comme un radiateur, un poêle ou tout autre produit pouvant générer de la chaleur (y compris les amplificateurs de son).
- N'installez pas l'écran sur des plates-formes ou des chariots qui sont instables, inclinés ou instables. Cela pourrait faire tomber l'écran, blesser les personnes qui l'entourent et endommager l'écran lui-même. Nous vous suggérons de consulter des professionnels pour la sécurisation de l'écran.
- Respectez toujours toutes les étiquettes d'avertissement et d'instructions affichées à l'écran.
- N'installez pas l'écran dans un environnement confiné.
- Si vous souhaitez installer l'écran dans un support mural encastré pour téléviseur, veillez à laisser suffisamment d'espace autour de l'écran pour assurer une bonne ventilation et éviter un fonctionnement à une température anormale.
- Évitez les changements de pression ou de température excessifs, car des cristaux liquides spéciaux sur l'écran peuvent provoquer des fissures, des éraflures ou des dommages.
- Lorsque l'écran est allumé, ne couvrez ou n'obstruez aucun des pores de ventilation de l'écran. Il est suggéré de nettoyer périodiquement les pores de ventilation de l'écran pour assurer la dissipation de la chaleur.
- Tenez les bougies ou autres articles inflammables éloignés de l'écran pour éviter tout risque d'incendie.
- Ne collez pas votre doigt ou d'autres objets entre l'écran et sa base ou sa zone voisine afin d'éviter de vous blesser ou d'endommager l'écran.
- N'appuyez pas trop fort sur l'écran pour ne pas endommager le produit.
- UTILISEZ UNIQUEMENT les accessoires spécifiés par le fabricant.
- N'essayez jamais de réparer ou d'ouvrir l'écran par vous-même. L'ouverture et le retrait des couvercles peuvent vous exposer à des tensions dangereuses ou à d'autres dangers. Le non-respect de cet AVERTISSEMENT peut entraîner la mort ou des blessures graves. Veuillez contacter votre revendeur ou un technicien d'entretien pour obtenir de l'aide.
- Tenez fermement l'écran par les côtés avec deux personnes lorsque vous sortez l'écran de sa boîte.

安全指示

使用顯示器之前，請詳閱下列安全指示，並留存以供日後參考。

- 請遵循顯示器使用手冊的指示。
- 請務必檢查當地的供電是否符合顯示器的電源要求。
- 請勿擋住顯示器背面的通風孔，也務必讓顯示器四周保持足夠的空間來散熱。
- 請勿打開背蓋。保固範圍不涵蓋因使用不當所造成的損壞。
- 我們公司的軟體產品受到著作權保護。未經授權請勿複製。
- 如果顯示器受到陽光直射，長時間下來會造成損壞，強烈的反光也會讓使用者在觀看顯示器上的內容時受到影響。
- 請勿將顯示器安裝於任何熱源附近，例如散熱器、暖氣機、爐灶或可能會致熱的其他所有產品 (包括音訊放大器)。
- 請勿將顯示器安裝在不穩定、傾斜或是會搖晃的平台或推車上，否則可能會造成顯示器掉落、讓周圍的人受傷，並損壞顯示器。我們建議針對固定顯示器的方式，諮詢專業人員的意見。
- 請務必遵循顯示器標籤上標示的所有警告和指示。
- 請勿將顯示器安裝於密閉的環境中。
- 如果想要將顯示器安裝於嵌入式電視牆壁掛安裝架中，請務必在顯示器的四周留出足夠的空間，以確保良好的通風和避免運作溫度異常。
- 應避免過度的壓力或溫度變化，因為顯示器中的特殊液晶材料可能會造成裂痕、刮痕或損壞。
- 當顯示器的電源開啟時，請勿蓋住或擋住顯示器的通風孔。建議您定期清潔顯示器的通風孔以確保散熱。
- 讓蠟燭或其他易燃物品遠離顯示器，以避免發生火災。
- 請勿將您的手指或其他物體，置於顯示器與其底座或鄰近區域之間，以免讓自己受傷或損壞顯示器。
- 請勿過度用力按壓顯示器，以避免損壞本產品。
- 僅使用製造商指定的配件。
- 切勿嘗試自行維修或開啟顯示器。開啟和移除外蓋，可能會造成高壓電擊或其他危險。不遵守此警告可能導致死亡或嚴重傷害。請洽經銷商或維修技師尋求協助。
- 由兩人牢握顯示器兩側，然後從裝箱中抬出。

注意！
使用過度恐傷害視力。
使用30分鐘請休息10分鐘。
未滿2歲幼兒不看螢幕，
2歲以上每天看螢幕不要超過1小時。

警告使用者：此為甲類資訊技術設備，於居住環境中使用時，可能會造成射頻擾動，在此種情況下，使用者會被要求採取某些適當的對策。

GENERAL USER INFORMATION

- The product shall ship with consumer informational materials located in either (1) the hard copy or electronic user manual, or (2) a package or box inserted.
- The above-mentioned consumer informational materials shall include (1) information about the ENERGY STAR program, (2) information on the energy consumption implications of changes to default as-shipped displays configuration and settings, and (3) notification that enabling certain optional features and functionalities (e.g., instant-on), may increase energy consumption beyond the limits required for ENERGY STAR certification, as applicable.

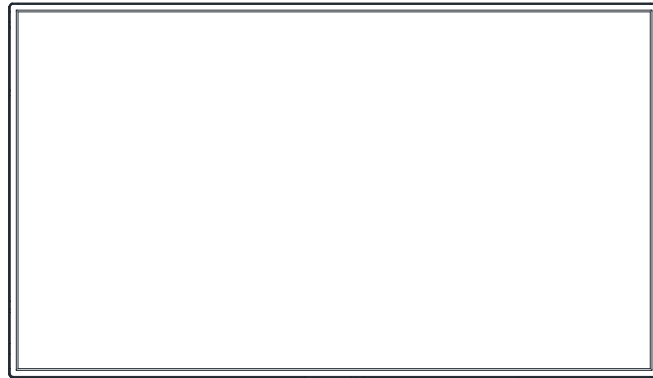
POWER MANAGEMENT

- Products shall offer at least one power management feature that is enabled by default, and that can be used to automatically transition from Sleep Mode to On Mode either by a connected host device or internally (e.g., support for VESA Display Power Management Signaling (DPMS), enabled by default).
- Products that generate content for display from one or more internal sources shall have a sensor or timer enabled by default to automatically engage Sleep or Off Mode.
- For products that have an internal default delay time after which the product transitions from On Mode to Sleep Mode or Off Mode, the delay time shall be reported.
- Products shall automatically enter Sleep Mode or Off Mode within 5 minutes of being disconnected from a host computer.

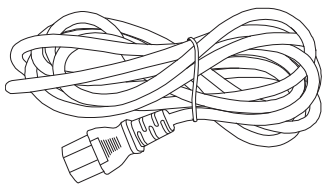
WHAT'S IN THE BOX

Package Contents

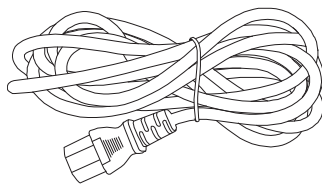
Check your product box for the following items. If there are any missing accessories, contact the local dealer where you purchased your display. The illustrations in this manual may differ from the actual product and items.



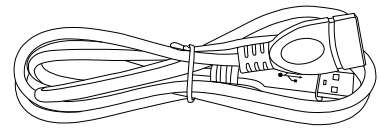
Display



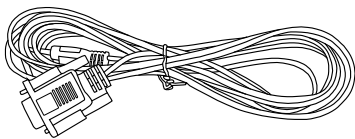
Power Cord (UL/BSMI/PSE) x 1



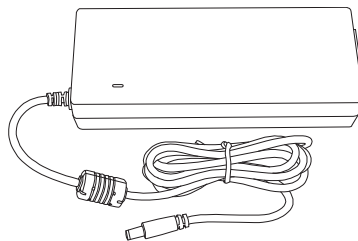
Power Cord (EU/KC) x1



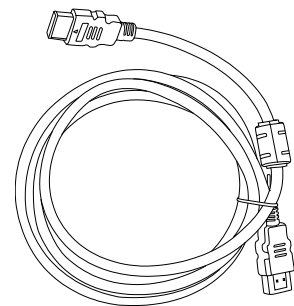
USB-A Male-to-Female Cable



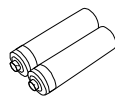
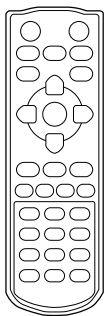
RS232 Cable



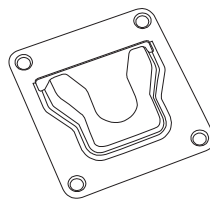
Power Adapter



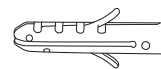
HDMI Cable



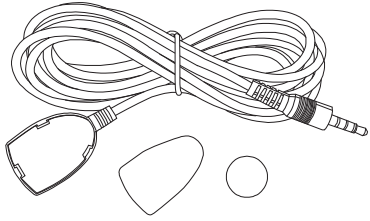
Remote Control and
AAA Batteries



Wall Mounts x2

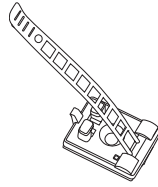


Screw Anchors x 8
Screws x 8



**IR Extender with
Sticker & Magnet**

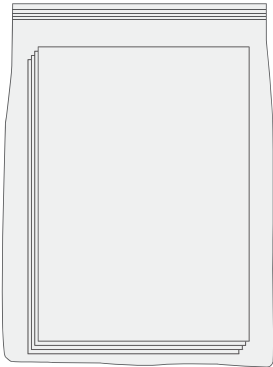
To learn how to use the IR extender, refer to the “Setting Up the IR Extender” section.



Cable Routing Hooks x 6
To learn how to use the cable routing hooks, refer to the “Installing the Cable Routing Hooks” section.



Side Chassis Stickers x 3
To learn how to use the side chassis sticker, refer to the “Adhering the Side Chassis Stickers” section.



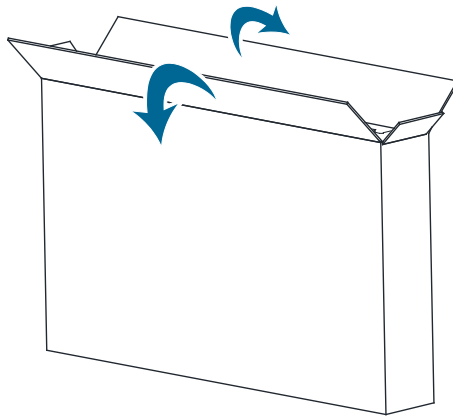
**Quick Start Guide and
Wall Mount Guide**

MOVING THE DISPLAY

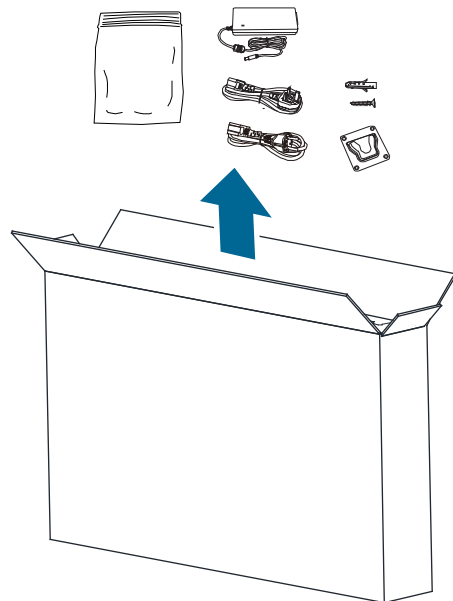
Unpacking the Display

Before unpacking the display, prepare a flat and stable surface near a wall outlet. Set the product box in an upright position according to the instructions on the outside of the product box.

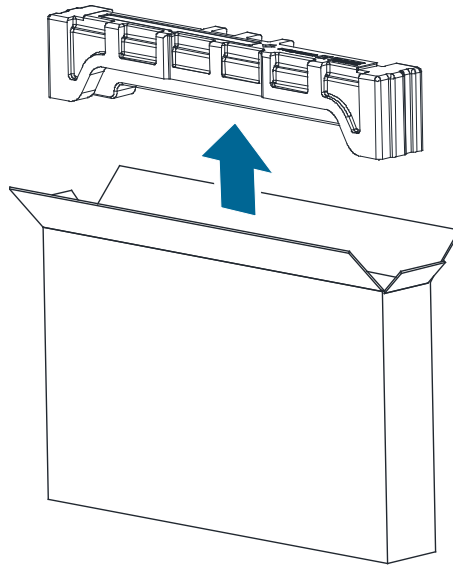
1. Open the box from the top side.



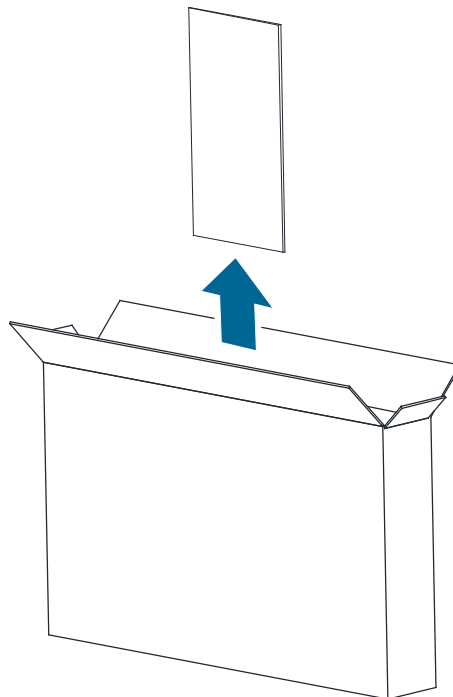
2. Remove the accessories from the top of the EPS foam packaging cushion.



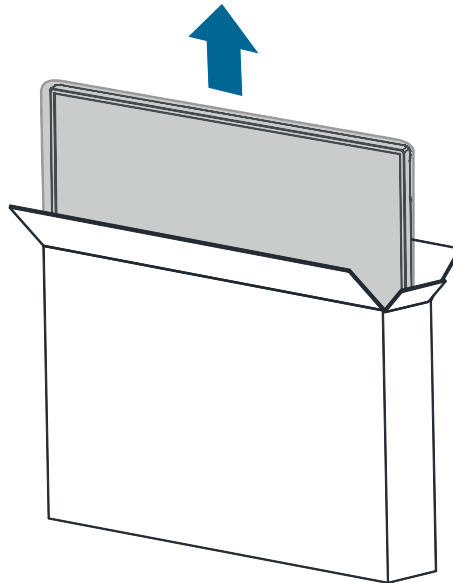
3. Remove the EPS foam packaging cushion from the box.



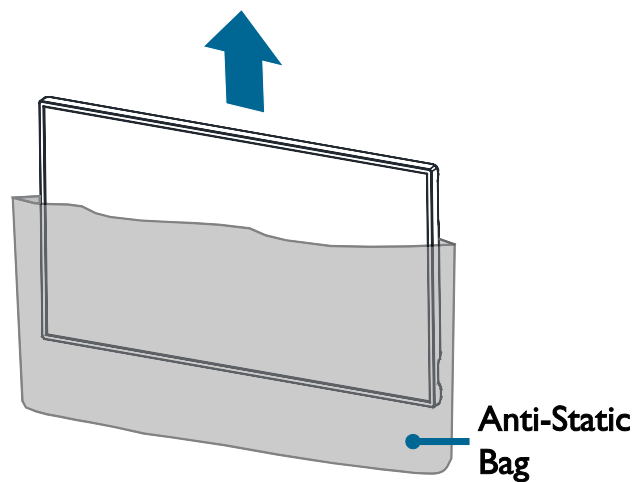
4. Remove the front protective board from the box.



5. Remove the display with the anti-static bag the box.



6. Remove the display from the anti-static bag.

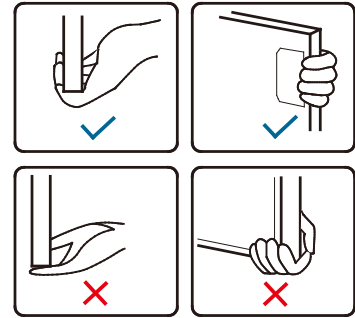
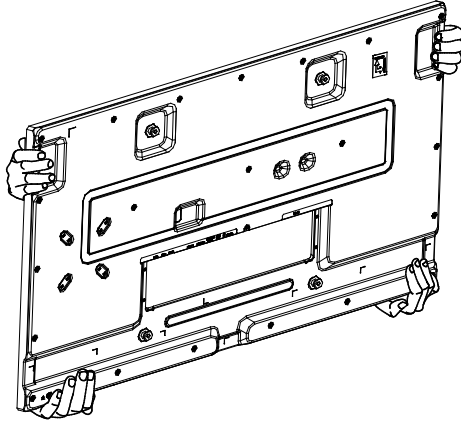


NOTE:

- If you are going to set the display down on an un-cushioned surface, **DO NOT** remove the protective film from the screen after removing the display from the anti-static bag.
 - **DO NOT** remove the protective film from the screen until you mount the display on a wall.
-

Carrying the Display

When carrying the display, always hold the grips at the top-right, top-left, and bottom sides of the display securely with two people using both hands and with the display back cover facing forward. DO NOT put pressure on the screen at the front of the chassis while carrying the display.



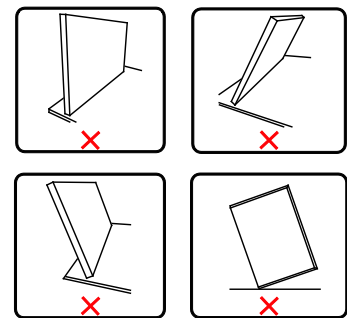
CAUTION: Avoid applying force or using sharp objects on the screen or the frame around the screen at all times.

PRÉCAUTION : Évitez d'appliquer une force ou d'utiliser des objets pointus sur l'écran ou le cadre autour de l'écran en tout temps.

Placing the Display

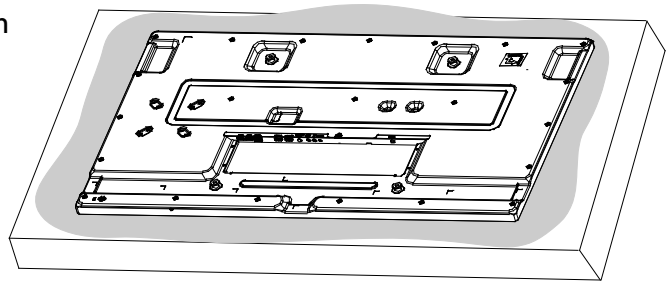
When placing the display, always put the screen face down as illustrated in the

Setting Down the Display section. Never stand the display upright. Never tilt the display towards the left, right or balanced on a single corner of the frame.



Setting Down the Display

When setting the display down, place the screen face down on a flat and stable surface covered by a protective sheet and a table cushion as shown in the illustration provided.



CAUTION: Never press or place anything on the back cover. This may damage the internal parts of the display.

PRÉCAUTION : N'appuyez ou ne placez jamais quoi que ce soit sur la couverture arrière. Cela pourrait endommager les parties internes de l'écran.

MOUNTING THE DISPLAY

Adjusting Directions

To avoid injuries, follow the installation instructions to safely install the display onto a wall. It is recommended to allow a certified installation company to conduct the wall mounting operation.



CAUTION: Dropping the display may cause injuries to people around it.

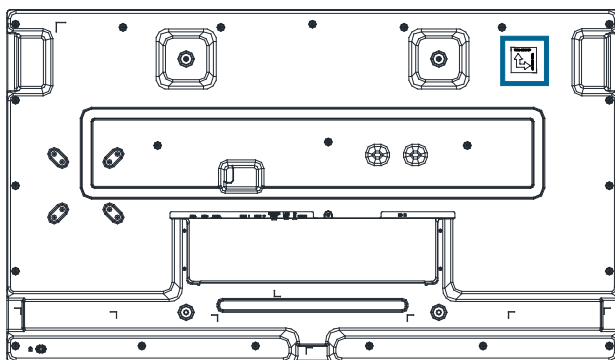
PRÉCAUTION : La chute de l'écran peut causer des blessures aux personnes qui l'entourent.



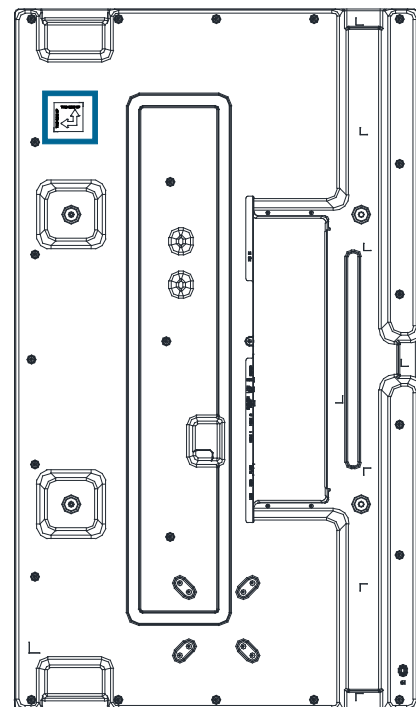
NOTE: Two wall mounts will be provided with the display for easier installation.

If you want to use the display vertically or horizontally, adjust the display such that the main power switch on the back of the display is pointing downward or leftward and the respective arrow on the rear of the display is pointed upward (as illustrated below). If the display is not mounted in such a way the display may not function properly.

Horizontal (Landscape)



Vertical (Portrait)



NOTE: Before mounting, make sure there is space to connect your devices. See “CONNECTING THE DISPLAY” on page 27.

Wall Mount Instructions



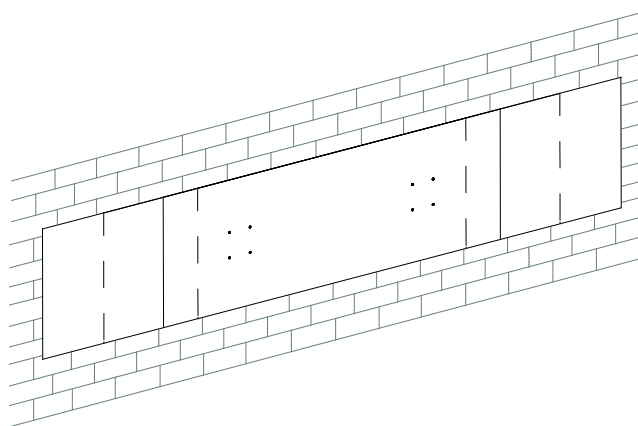
CAUTION: For proper installation, it is strongly recommended to use a trained, qualified technician.

PRÉCAUTION : Pour une installation correcte, il est fortement recommandé de faire appel à un technicien formé et qualifié.

MOUNTING WITH THE SUPPLIED WALL MOUNTS

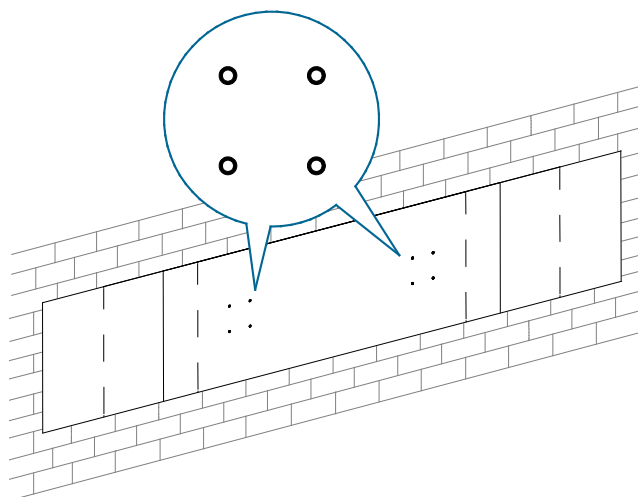
The supplied wall mounts and screws allow you to mount the display on a wall. Follow the steps below to firmly secure the wall mounts onto the wall so that the display can be securely installed in place.

1. Adhere the wall mount guide onto the wall.

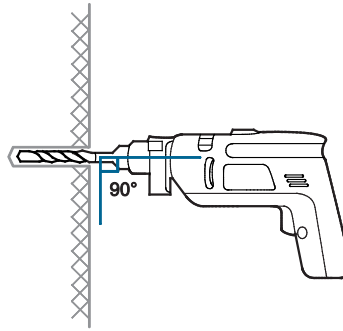


NOTE: You can use a spirit level to ensure that the wall mount guide is adhered perfectly straight.

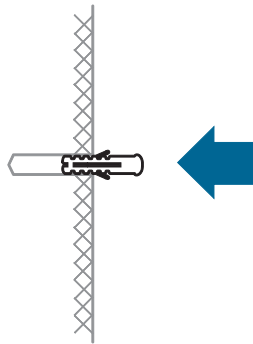
2. Locate the circles on the wall mount guide indicating the locations on which you need to install screws to secure the wall mount in place.



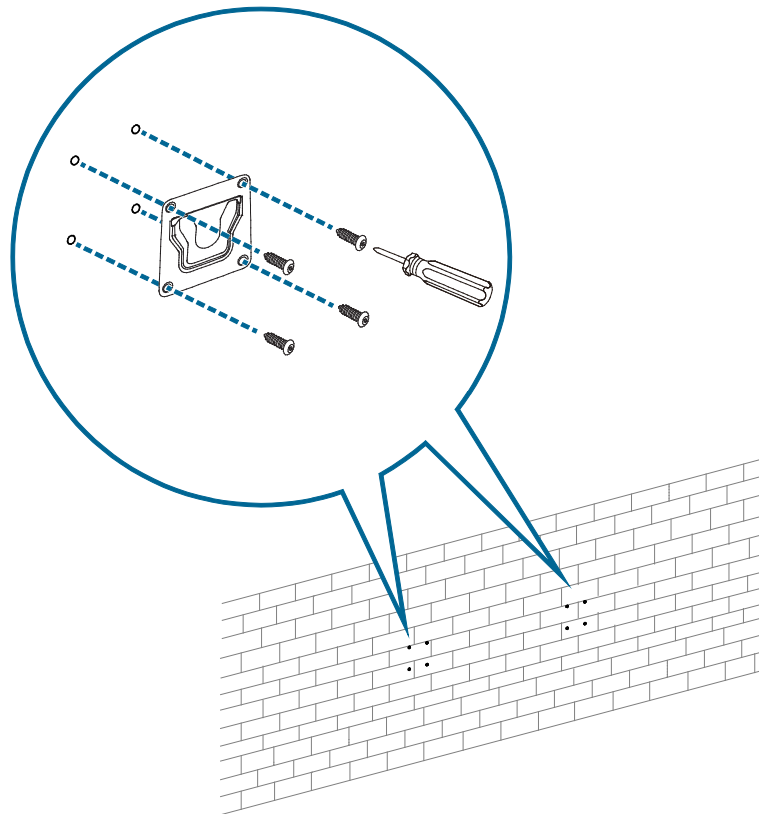
3. Drill the holes perpendicularly into the marked locations through the wall mount guide.



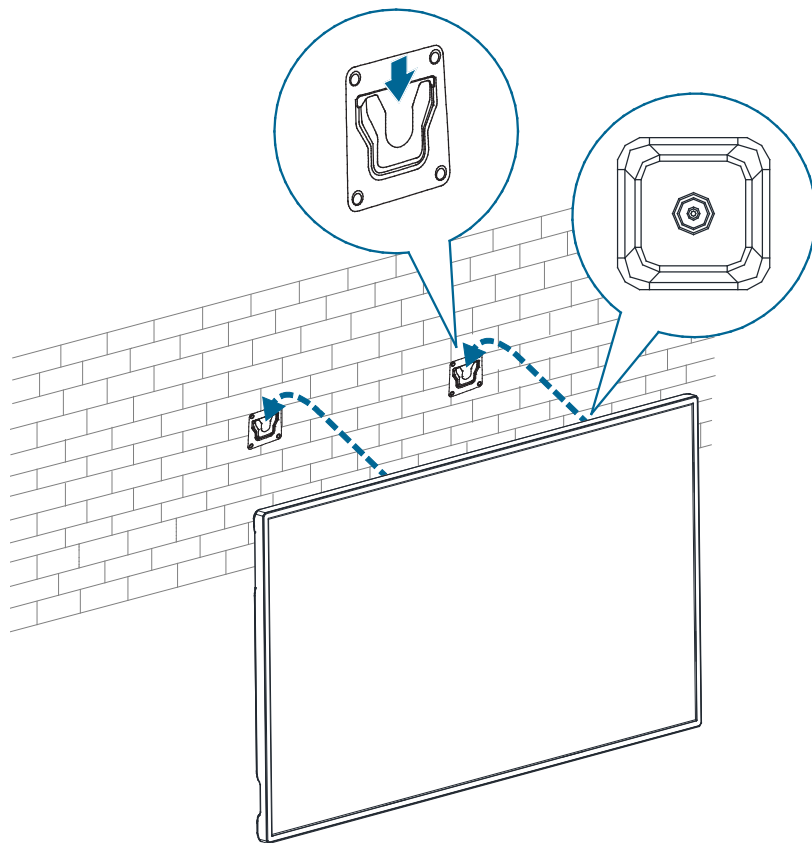
4. Remove the wall mount guide.
5. Install the screw anchors into the holes.



6. Align the wall mounts with the screw anchors and secure the wall mounts in place with the supplied screws.



7. Mount the display onto the wall mounts by seating the upper two hooks into the slots on the wall mounts.



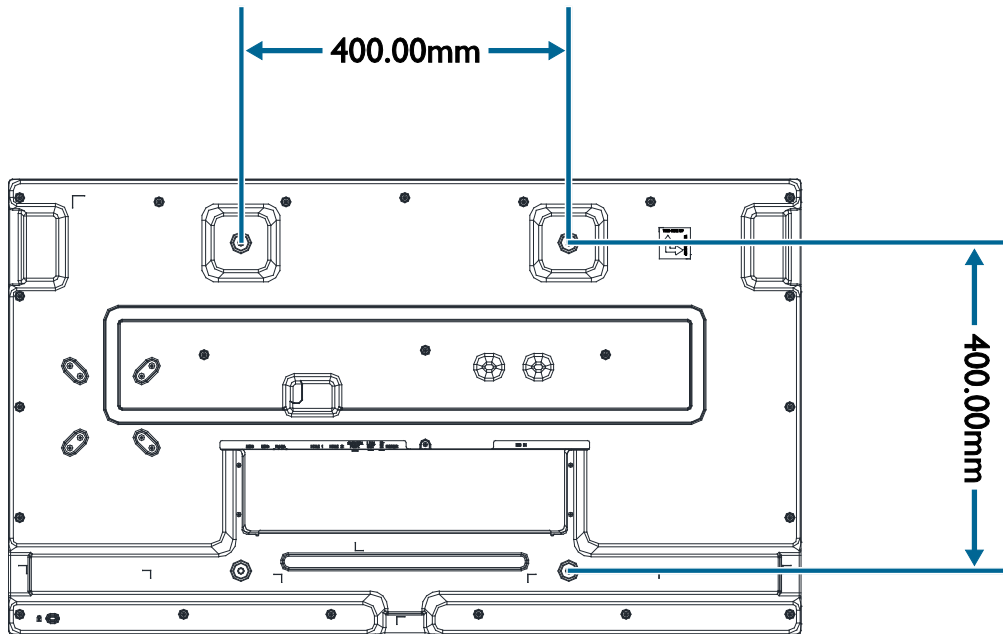
VESA MOUNTING

The back of the display is equipped with four screw-holes with dimensions of VESA mount 400 x 400mm (for both 43" and 55").

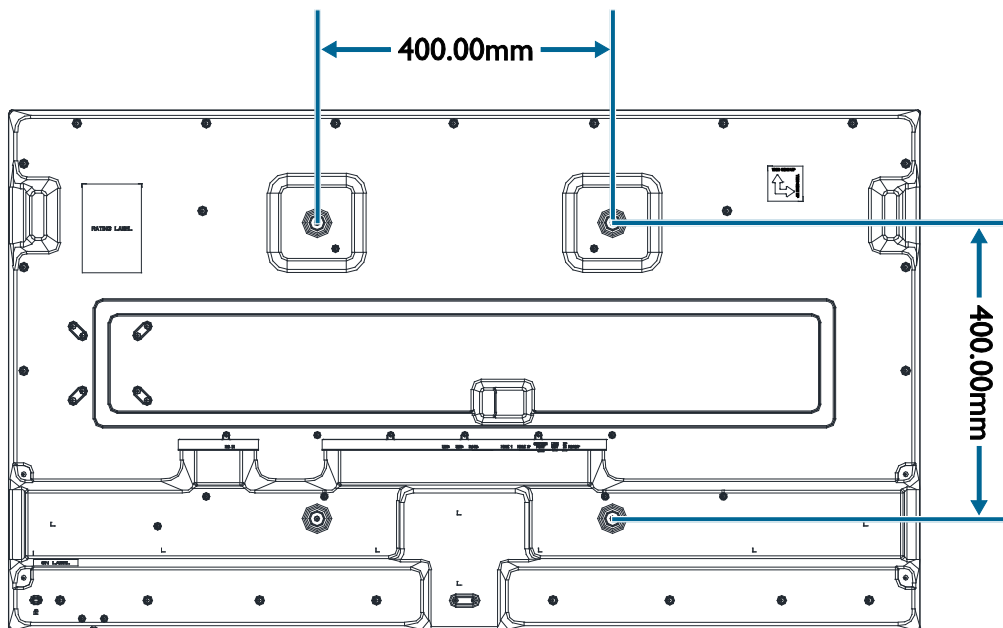


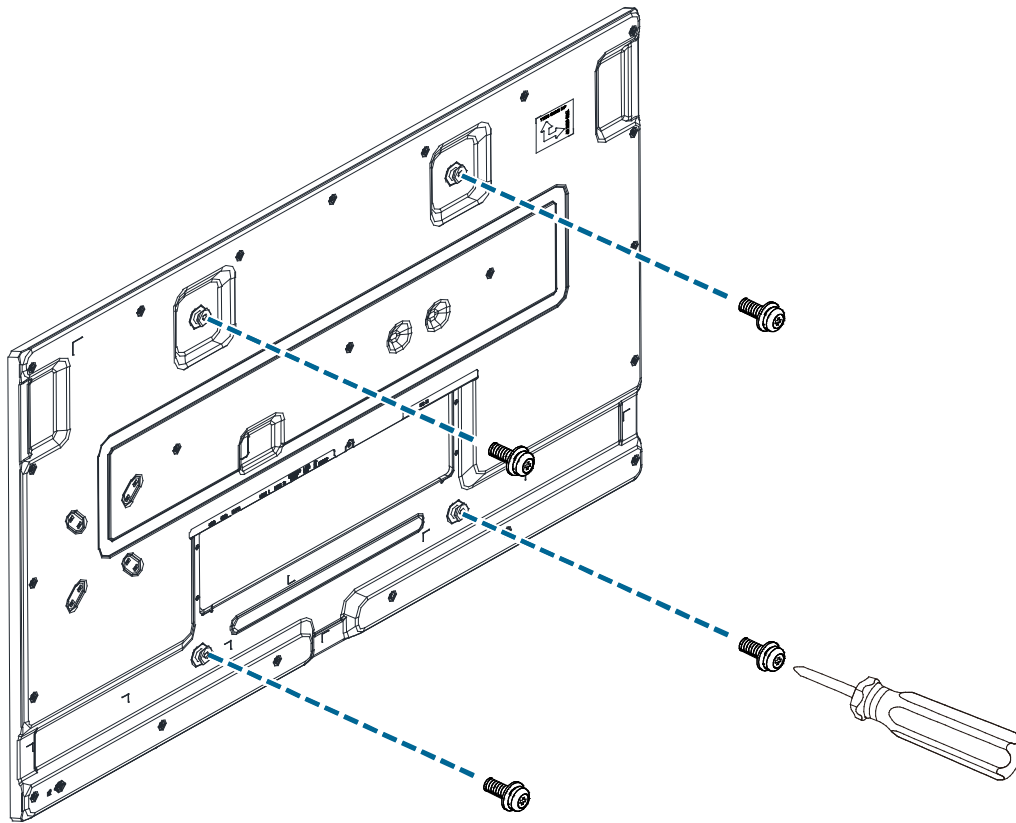
NOTE: Refer to the proper installation instructions included with the mounting equipment.

43"



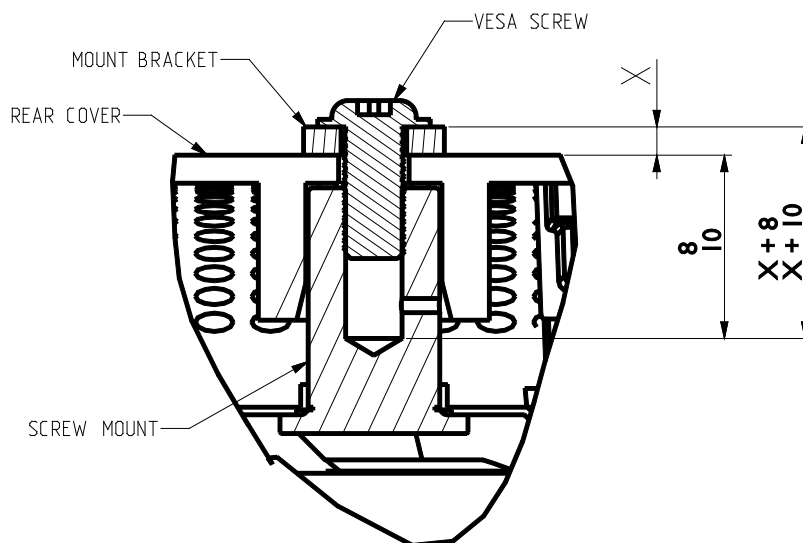
55"





For installation, use four M6 screws to firmly secure a wall mount onto both 43" (maximum length: 8mm, maximum torque: 10 kgf-cm) and 55" (maximum length: 10mm, maximum torque: 10 kgf-cm).

To obtain the correct screw length, make sure that you add the thickness of the mount bracket (indicated by the variable "X" in the figure below) to the screw length and you choose a screw length that does not extend past the full depth of the screw hole (8mm for 43"; 10mm for 55") when fully tightened.

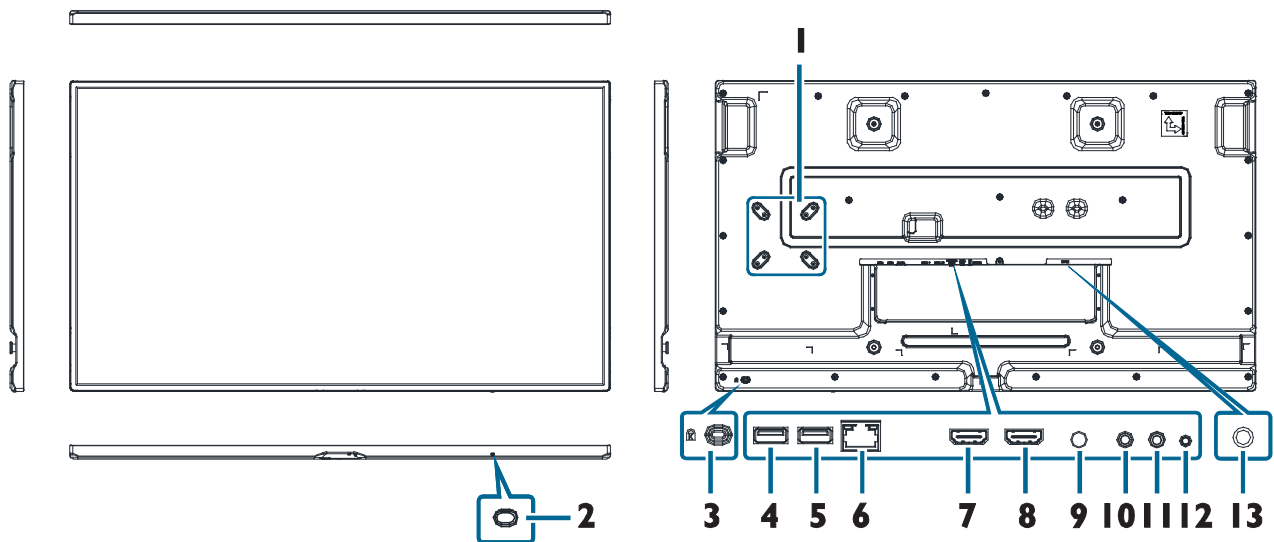


SETTING UP THE DISPLAY

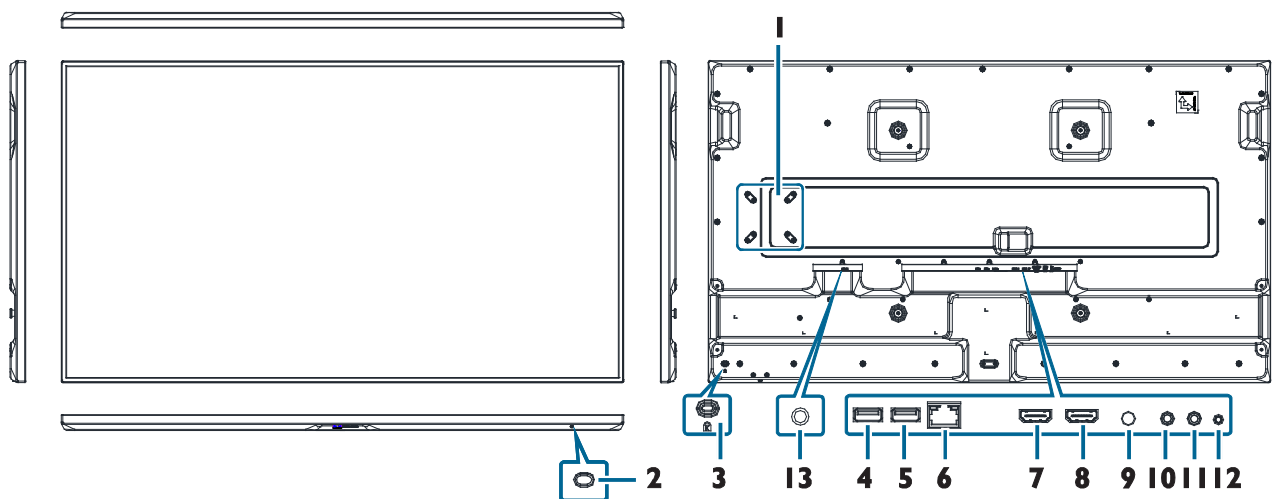
Main Components





The following images and tables show the location of the connectors and other components.

43"



55"



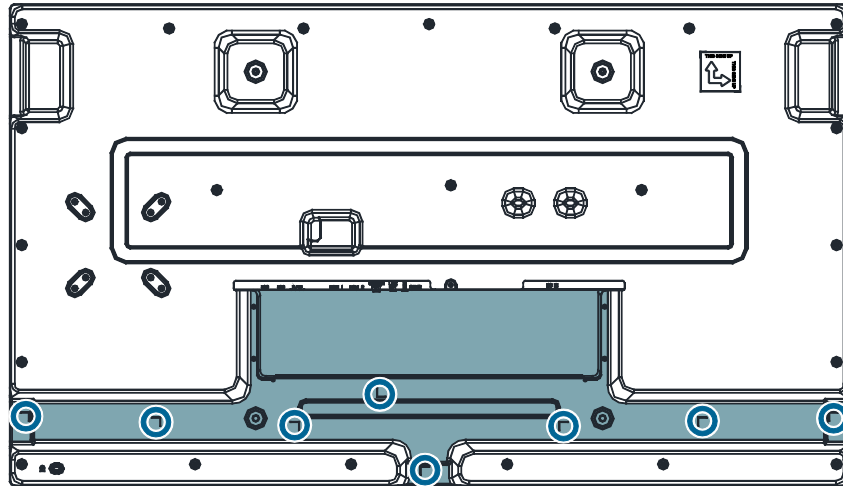
Item	Description
1 Screw Slots for Intel NUC Mount Bracket	Allows installation of a mount bracket compatible with Intel NUC specifications.
	 <p>NOTE: For details regarding the specifications of the mount bracket, you may refer to Intel's official website.</p>
2 Power Button	<p>Turns the display on/off. When the display is turned on:</p> <ul style="list-style-type: none"> • Press the power button to turn off the display backlight. • Press and hold the power button for three seconds, the display will be put into standby mode.
3 Kensington Lock Slot	Connects to Kensington-compatible security locks.
4 USB	Connects with USB 2.0 devices such as keyboards, pointing devices, or flash drives.
5 USB	Connects with USB 2.0 devices such as keyboards, pointing devices, or flash drives.
	 <p>NOTE: If you need to connect a USB flash drive to each of the USB ports on the display at the same time, use the supplied USB-A male-to-female cable for one of the USB ports.</p>
6 RJ45	Connects with a local network using a standard Ethernet cable.
7 HDMI 1	Connects with devices transmitting audio/video using the HDMI interface.
	 <p>NOTE: The HDMI port complies with the HDMI 2.0 specifications and supports the CEC function.</p>
8 HDMI 2	Connects with devices transmitting audio/video using the HDMI interface.
	 <p>NOTE: The HDMI port complies with the HDMI 2.0 specifications and supports the CEC function.</p>
9 SERVICE PORT	For debugging purposes by the manufacturer only.
10 LINE OUT	Connects with external speakers to output the audio that is supplied by the video source.
11 IR IN	Connects with the supplied IR extender.
12 RS232	Connects with the serial I/O connector of a host device.
13 DC IN	Connects with the supplied power adapter.

Installing the Cable Routing Hooks

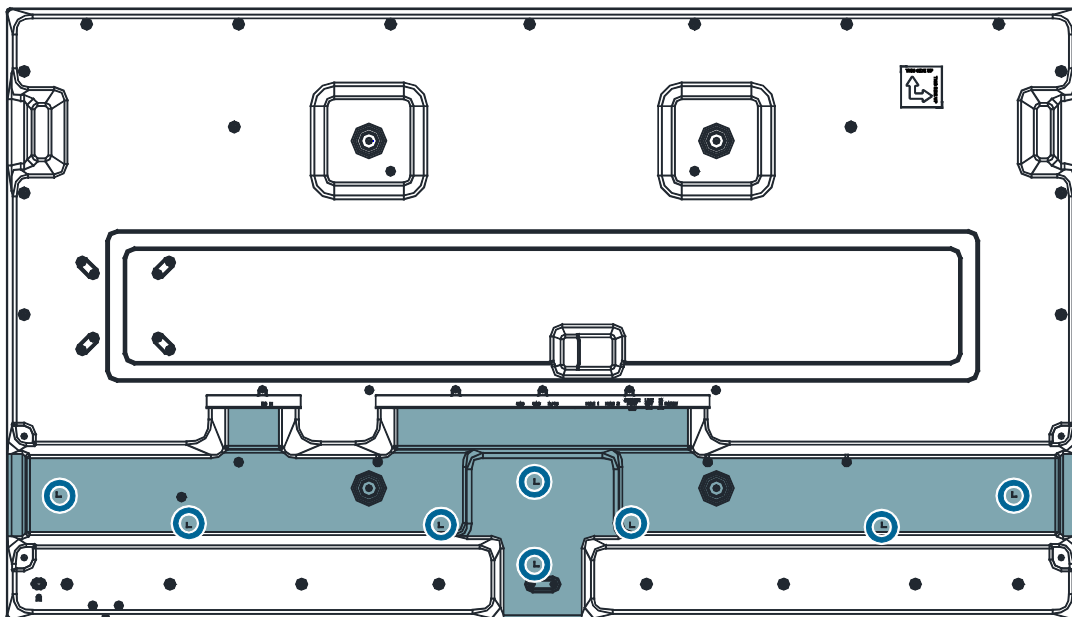
The supplied cable routing hooks allow you to create one or more routing channels to secure the cables on the back panel of the display according to your applications.

The area for cable routing and suggested locations to attach the hooks are etched on the back panel of the display as indicated in the following images.

43”

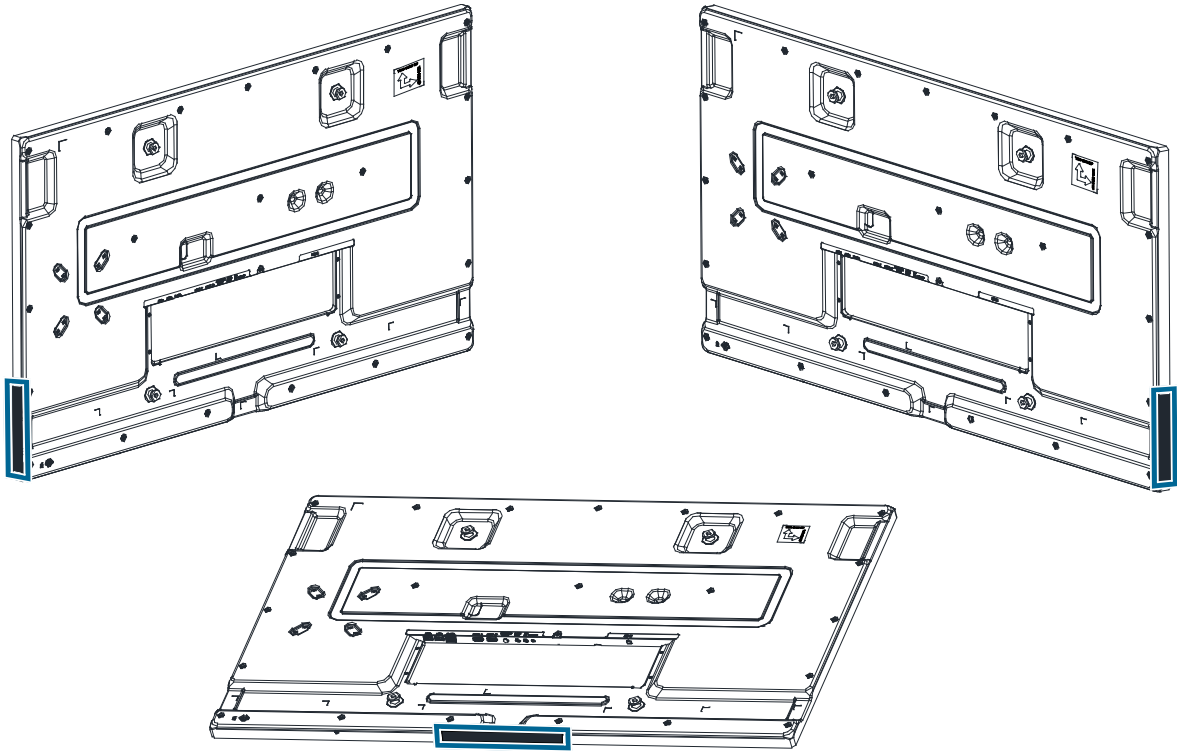


55”



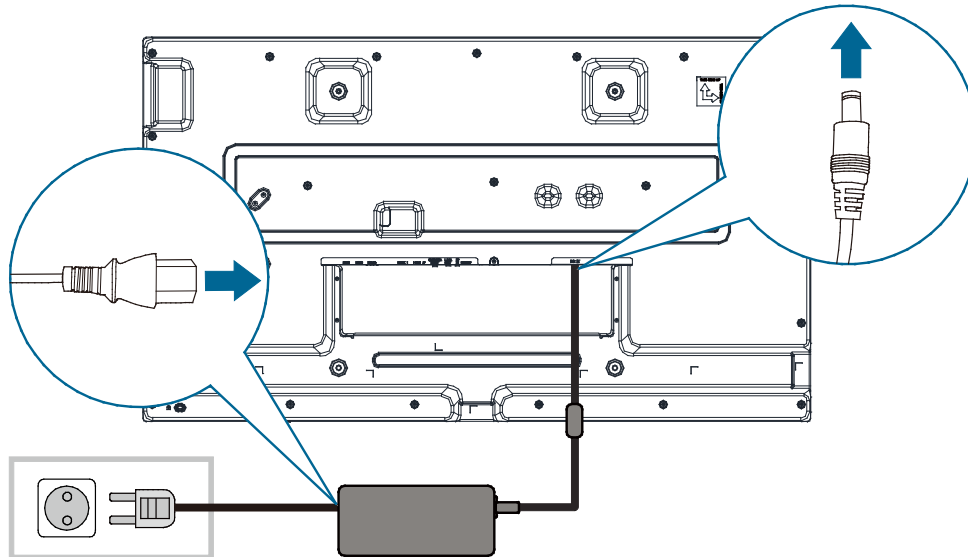
Adhering the Side Chassis Stickers

The supplied side chassis stickers allow you to cover the opening of the cable routing area for cosmetic purposes. You can adhere the supplied stickers on the right side, left side, or bottom side of the display.



Connecting the Power Cable and Adapter

1. Connect the power adapter to the DC-in port on the display.
2. Connect the power cord to the power adapter.
3. Fully insert the power cord plug into the power outlet socket.



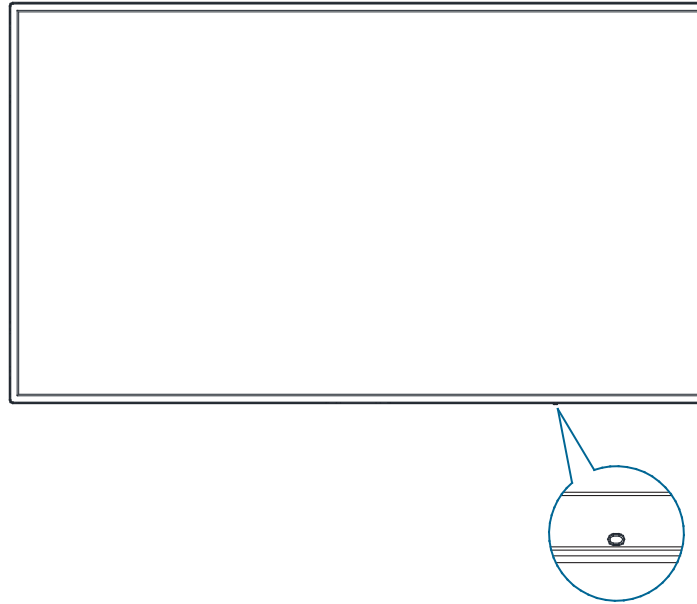
CAUTION: Loose connections may cause noise. Do not plug and unplug the power cord repeatedly in a short period of time.

PRÉCAUTION : Des connexions desserrées peuvent causer du bruit. Ne branchez et ne débranchez pas le cordon d'alimentation plusieurs fois dans un court laps de temps.



NOTE: The supplied power cord varies depending on the country where you purchased this apparatus. For all cases, use a power cord that matches the AC voltage of the power outlet and has been approved by and complies with the safety standard of your country.

4. Press the power button on the bottom side to turn on the display.



NOTE: When the display is turned on:

- Press the power button to turn off the display backlight.
- Press and hold the power button for three seconds, the display will be put into standby mode.



CAUTION: When disconnecting the AC power cord, be sure to first disconnect the plug from the outlet socket.

PRÉCAUTION : Lorsque vous débranchez le cordon d'alimentation CA, assurez-vous d'abord de débrancher la fiche de la prise de courant.

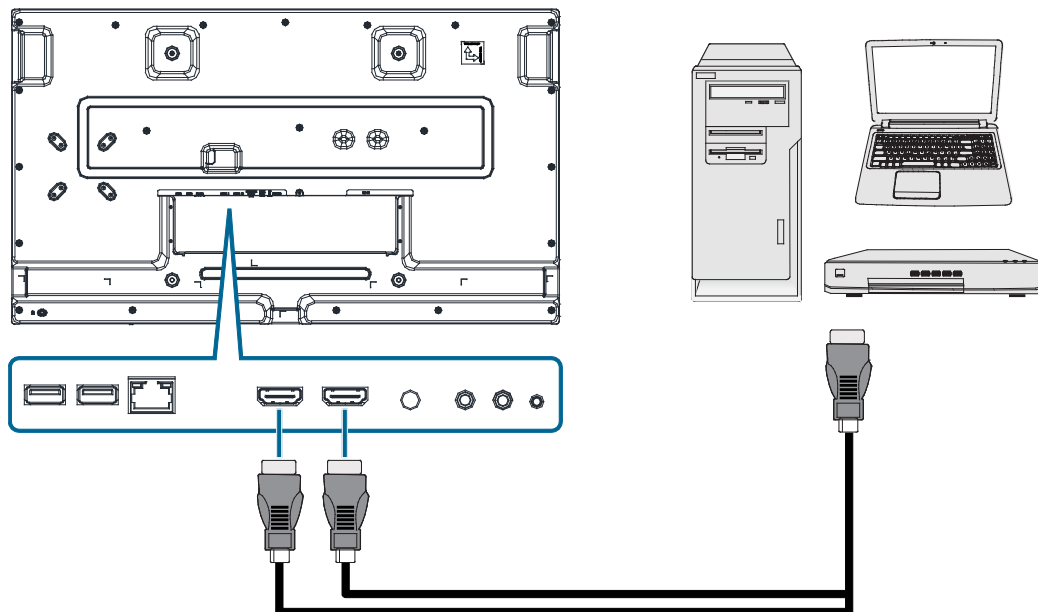
CONNECTING THE DISPLAY



NOTE: Before making connections, make sure that the power for all the connected equipment is off.

Using the HDMI I / 2 Ports

1. Connect an HDMI cable to the HDMI output port on a computer or A/V device.
2. Connect the HDMI cable to the HDMI I / 2 port on the display.
3. Press the [**SOURCE**] button of the remote control to select the video input source (HDMI I / HDMI 2).
4. Once selected, the audio input setting will automatically switch to the correct audio source for the video connection.

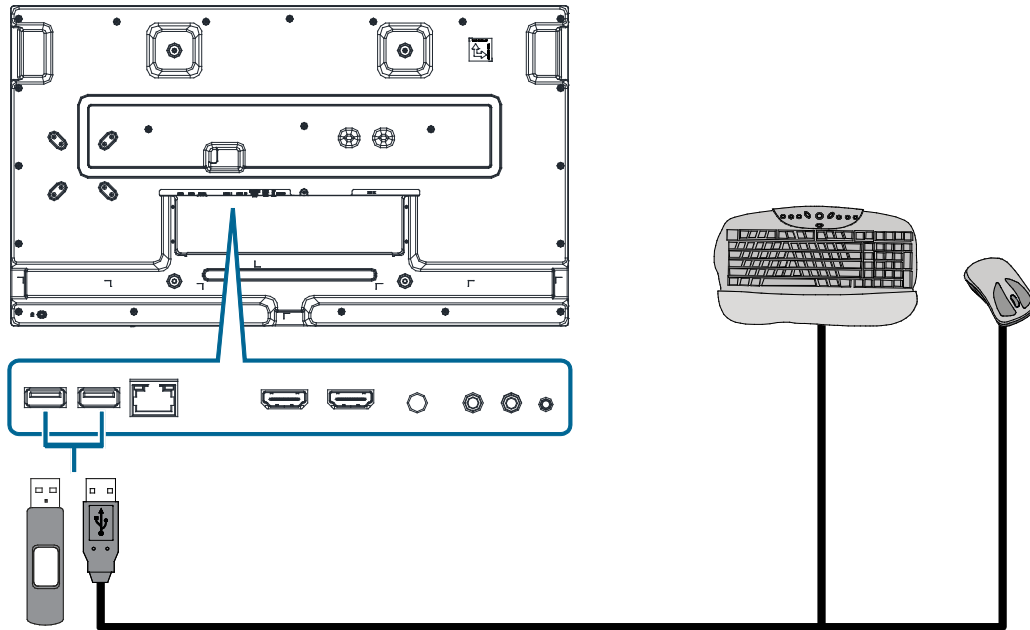


Using the USB 2.0 Port

The USB 2.0 port allows connection with USB 2.0 devices, such as mouse, keyboard, and/or flash drive.

To use a USB flash drive:

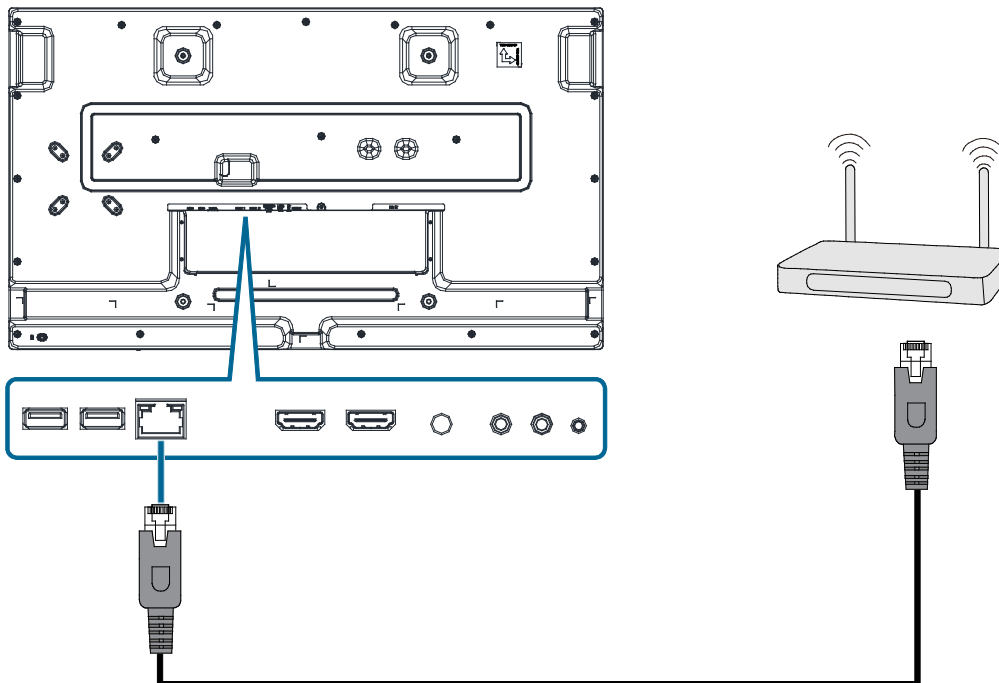
1. Connect a USB flash drive to the USB port on the display.
2. Select **MEDIA PLAYER** on the home screen of the display, press the **[ENTER]** button to switch the input source to the USB flash drive and then access the desired multimedia files.



NOTE: Press the **[EXIT]** button to return to the home screen if the home screen does not appear on the screen.

Using the LAN RJ45 Port

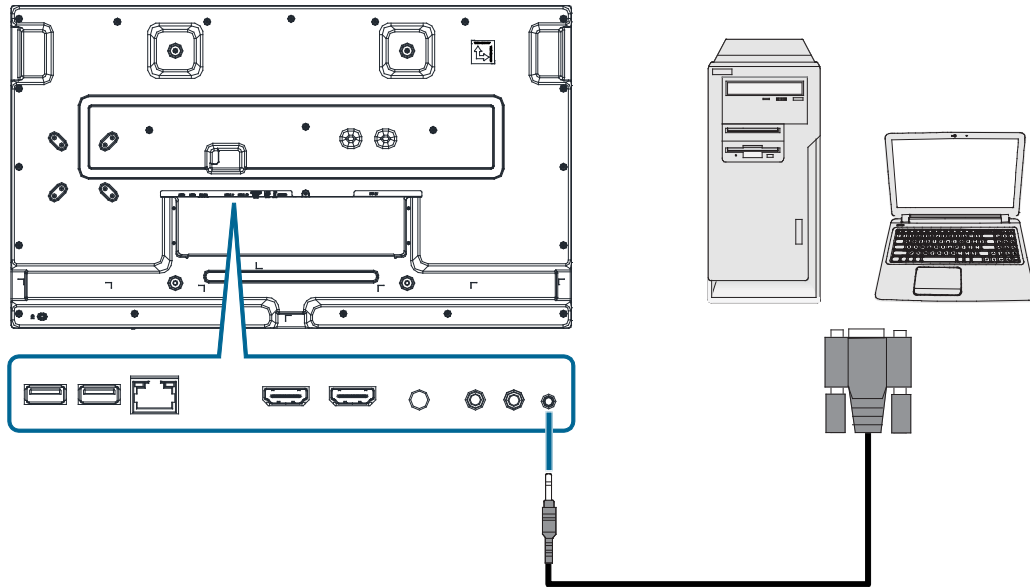
1. Connect a LAN cable to the LAN port on a router or hub offered by your Internet Service Provider.
2. Connect the other end of the LAN cable to the LAN RJ45 port on the display.
3. Once connected:
 - If you are in a DHCP environment, the display will be connected to the Internet automatically and you do not have to manually set the IP address.
 - If you are in a non-DHCP environment, you need to manually set the IP Address, Subnet Mask, Default Gateway, and DNS Server. Please contact your Internet Service Provider for detailed information.



NOTE: The LAN RJ45 port does not support Power over Ethernet (PoE) technology.

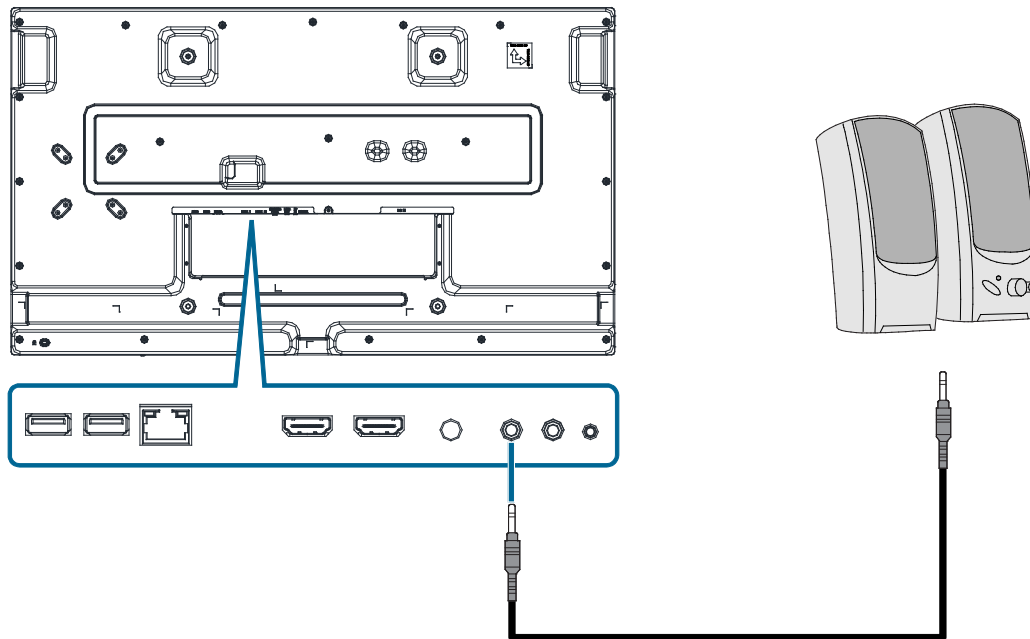
Using the RS232 Port

1. Connect a RS232 cable to the RS232 output port on a computer.
2. Connect the RS232 cable to the RS232 port on the display.
3. Enter commands on the computer. You may refer to the “APPENDIX A: COMMANDS LIST” section on page 46 for detailed information.



Connecting External Speakers

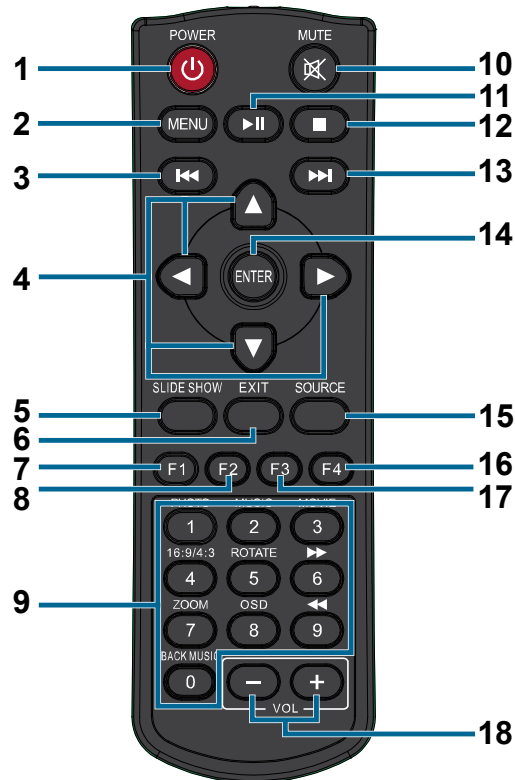
To connect external speakers to the display, use an audio cable to connect the LINE OUT jack of the display to the speakers or sound systems.



THE REMOTE CONTROL

Remote Control Overview

The remote control is the primary way to access and control the display. The following table identifies the functions of the remote control buttons.



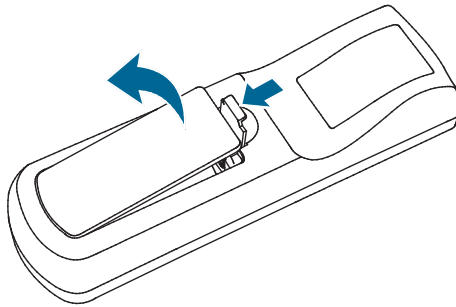
Item	Description
1 POWER	Turns the display on/off. When the display is turned on, press the [POWER] button to put the display into standby mode.
2 MENU	Displays the OSD menu.
3 Play Back [⏮]	Plays the previous media file.
4 Up [▲] / Down [▼] / Left [◀] / Right [▶]	Moves the selection in the OSD menu.
5 SLIDE SHOW	Returns to the home screen.
6 EXIT	<ul style="list-style-type: none"> Exits the current menu. In the sub-menu, confirms the item selected in the OSD menu and return to the previous menu.
7 F1	Turns the backlight on and off.
8 F2	No function.
9 Number Pad	Inputs numbers.
10 MUTE	Silences the audio.

Item	Description
I1 Play/Pause [▶]	<ul style="list-style-type: none"> Plays the media file. Pauses playback of the media file.
I2 Stop [■]	Stops playback of the media file.
I3 Play Forward [▶▶]	Plays the next media file.
I4 ENTER	<ul style="list-style-type: none"> Displays the OSD menu. Confirms the item selected in the OSD menu. In the sub-menu, unlocks the settings.
I5 SOURCE	Switches the video input source. Use the [◀] or [▶] buttons to directly select [HDMI 1], [HDMI 2].
I6 F4	<ul style="list-style-type: none"> Displays which HDMI port is currently used. Displays the resolution and frame rate.
I7 F3	<ul style="list-style-type: none"> Press the [F3] button on the remote control followed by [0], [0], and [2] to lock IR sensor/remote control. Press the [F3] button on the remote control followed by [0], [0], and [3] to unlock IR sensor/remote control.
I8 VOL	Increases [+] or decreases [-] the audio level.

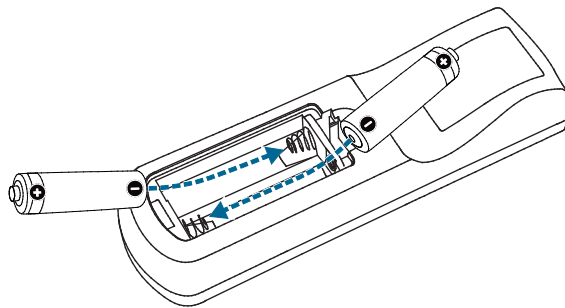
Installing the Remote Control Batteries

To install or replace remote control batteries:

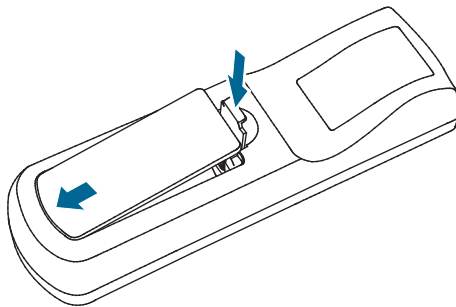
1. Press and hold the release latch on the battery compartment cover and then lift it up.



2. Install two AAA batteries into the battery compartment ensuring that the (+) and (-) signs on the batteries match the (+) and (-) indications on the battery compartment.



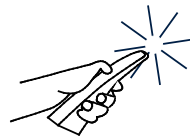
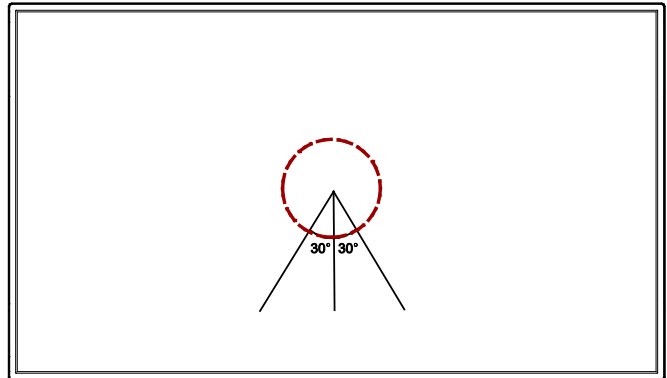
3. Slide the cover over the battery compartment so the tab on the cover is inserted into the opening in the compartment and press it down until it clicks in place.



Using the Remote Control

The display features an embedded IR sensor at its center behind the display panel. When using the remote control, aim the remote control at the middle of the display's front side within a distance of less than 2.8m/9.2ft, and a horizontal and vertical angle of less than 30 degrees.

An IR extender is also supplied with the display that allows you to use an adjustable external IR sensor for the remote control. For more information on using the IR extender, see "Setting Up the IR Extender" on page 35.



NOTE:

- Even when the remote control is pointed at the location where the IR sensor is and within the range of the sensor, there is a chance that environmental conditions may affect the proper functioning of the remote control.
- If the remote control is not working, replace the batteries with new ones. To learn how to replace the batteries, see "Installing the Remote Control Batteries" on page 33.

LOCKING/UNLOCKING THE REMOTE CONTROL

The IR sensor for the display can be locked so that the remote control function is disabled.

To lock the IR sensor/remote control:

1. Press the [F3] button on the remote control followed by [0], [0], and [2].
2. Once the remote control is locked a message will appear on the display confirming that the remote control has been locked.



NOTE: If the remote control has already been locked and the lock code is entered again, the confirmation message will not appear on the display.

To unlock the IR sensor/remote control and enable the remote control function:

1. Press the [F3] button on the remote control followed by [0], [0], and [3].
2. Once the remote control is unlocked a message will appear on the display confirming that the remote control has been unlocked.

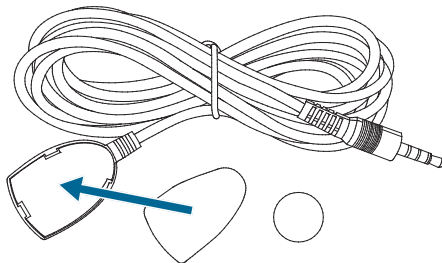


NOTE: The keypad will also be locked/unlocked when the IR sensor is locked/unlocked.

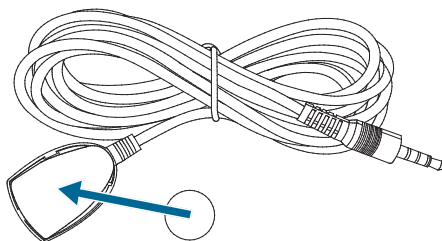
Setting Up the IR Extender

To set up the IR Extender:

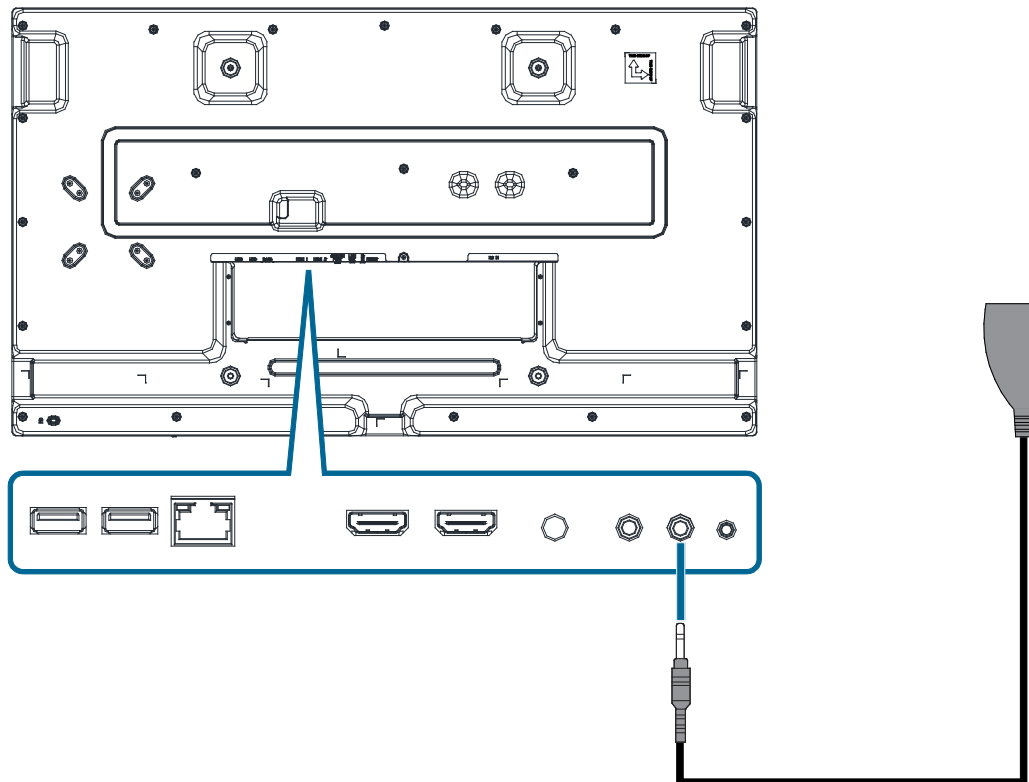
1. Remove the paper backing on one side of the supplied adhesive pad and adhere it to the bottom of the IR receiver ensuring that the pad is correctly aligned to the IR receiver.



2. Remove the paper backing on the other side of the pad and adhere the magnet to the bottom of IR receiver.



3. Connect the IR Extender to the IR IN port on the display.



4. Orient and mount the IR receiver according to your preference ensuring that nothing blocks the IR receiver.



NOTE: When using the IR extender, aim the remote control at the external IR receiver within a distance of less than 15m/49.2ft, and a horizontal and vertical angle of less than 30 degrees.

IR RECEIVER LED BEHAVIOR

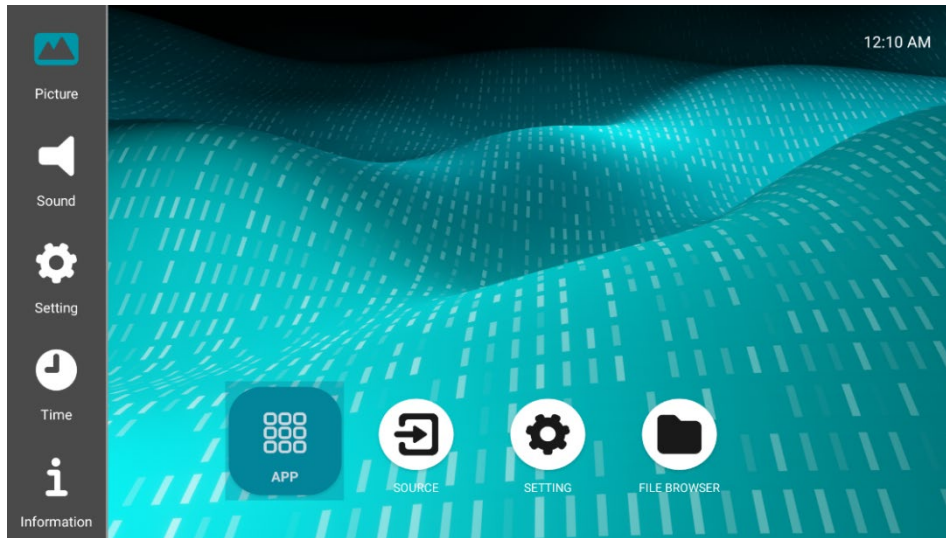
Item	Description
1 Solid Green	The display is on.
2 Solid Red	The display is in standby mode.
3 Off	The display does not connect to AC power.



NOTE: Connecting the IR Extender disables the IR sensor embedded at the center of the display behind the display panel. To avoid this, disconnect the IR Extender from the display when you are not using it.

ON SCREEN DISPLAY (OSD) MENU

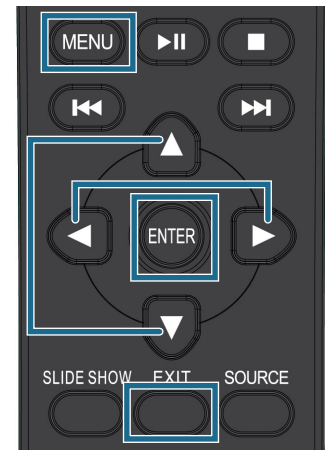
This LCD display is equipped with an OSD (On Screen Display) menu for easy adjustment of the display's settings.



Navigating the OSD Menu

The OSD menu can be accessed by using the remote control.

1. Press the [**MENU**] button to display the OSD menu.
2. Press the [**▲**] or [**▼**] button to navigate the main menu and press the [**ENTER**] button to enter the sub-menu.
3. In the sub-menu, press the [**▲**] or [**▼**] button to choose the setting and then press the [**ENTER**] button to unlock the setting.
4. Press the [**◀**] or [**▶**] button to adjust the setting and then press the [**EXIT**] button to confirm the setting.
5. Choose other settings in the sub-menu or press the [**EXIT**] button again to return to the main menu.



NOTE: The OSD menu cannot be accessed by pressing the [**MENU**] button if the display is in the Android settings menu. You can press the [**EXIT**] button to leave the Android settings menu.

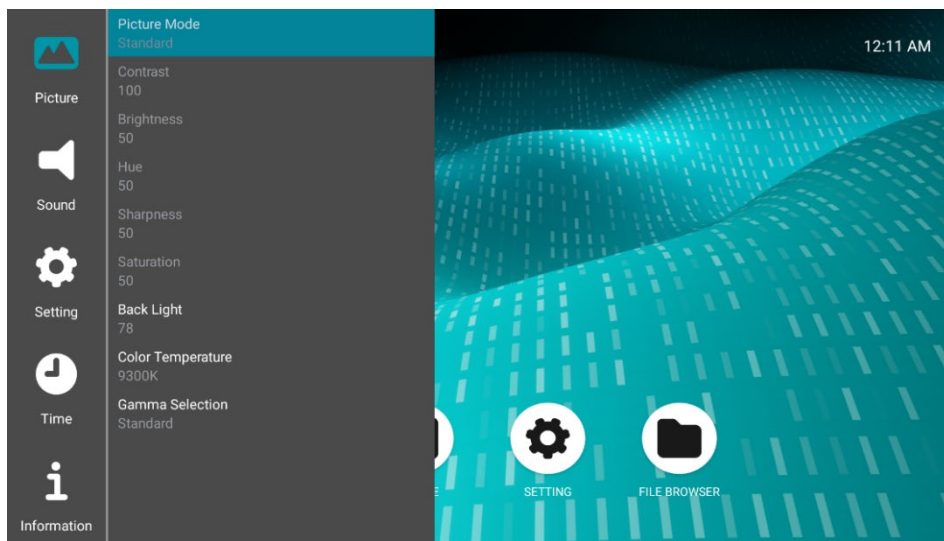
OSD Menu Overview


The following sections list the initial OSD functions in the main menu screen. For more detailed options, check the on-screen menu provided on the display.




NOTE: The sub-menu displays eleven items at most. Press the [▲] or [▼] button in the sub-menu for more options.

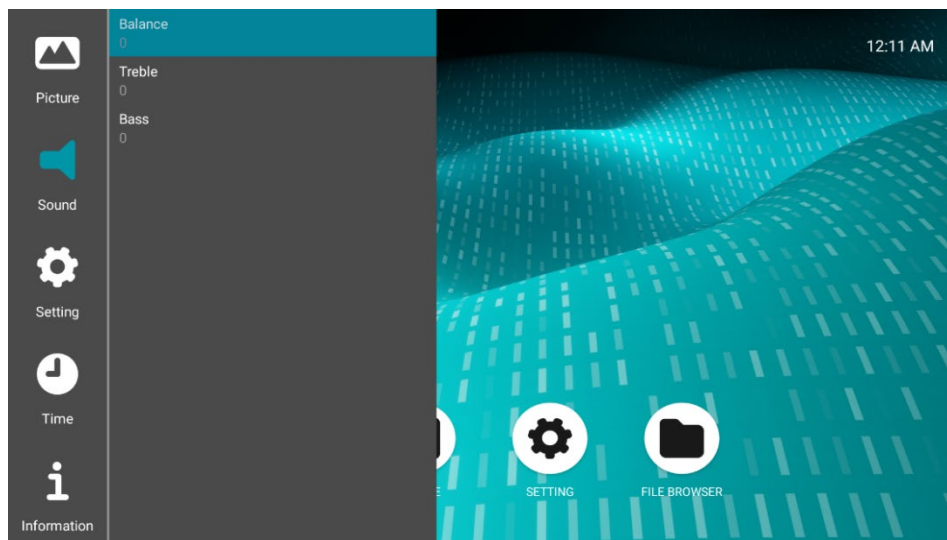
PICTURE (Adjusts the display's image settings)



Item	Description
Picture Mode	Changes the picture mode (Vivid / Standard / Soft / PC / User).
	 NOTE: Different signal sources have different picture mode and color temperature configurations. The display will automatically change Picture Mode and Color Temperature settings according to the signal source detected.
Contrast	Adjusts the contrast of the display (0 to 100).
Brightness	Adjusts the brightness of the images displayed on the screen (0 to 100).
Hue	Adjusts the hue of the display (0 to 100).
Sharpness	Adjusts the sharpness of the display (0 to 100).
Saturation	Adjusts the saturation of the display (0 to 100).
Back Light	Adjusts the luminance of the display panel (0 to 100).

Item	Description
Color Temperature	Adjusts the color temperature of the display (1 500K / 9300K / 6500K / User).
	 <p>NOTE: When Color Temperature is set to User, the display will present the native color gamut of the input source.</p>
Gamma Selection	Adjusts the mid-tone contrast of the display (Low / Standard / High).

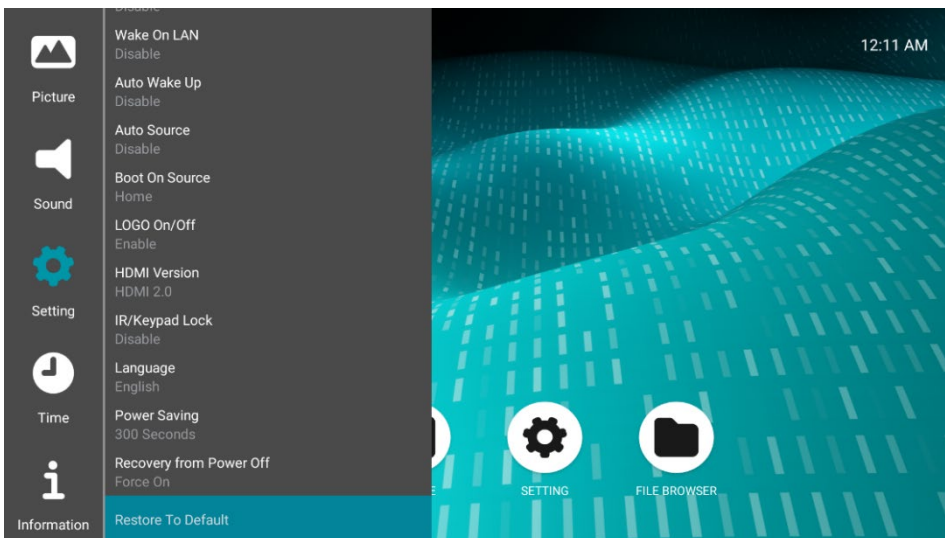
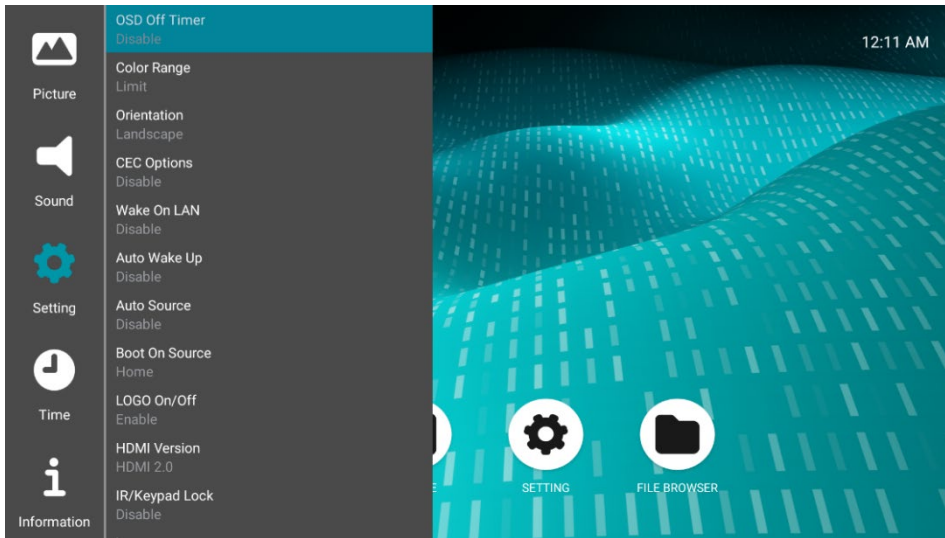
SOUND (Adjusts the display's audio settings)








Item	Description
Balance	Adjusts the sound balance of the audio output (-25 to +25).
Treble	Adjusts the treble of the audio output (-12 to +12).
Bass	Adjusts the bass of the audio output (-12 to +12).

SETTING

(Adjusts the display's parameters)

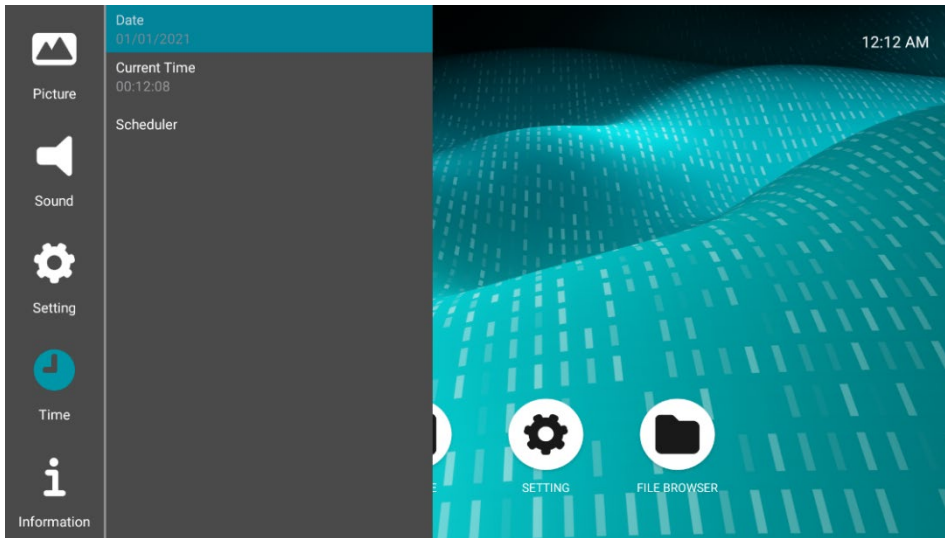




Item	Description
OSD Off Timer	Sets the number of seconds the OSD menu is displayed before it automatically closes (5 / 10 / 15 / 20 / 30 / 40 / 50 / 60 / Disable).
Color Range	Changes the RGB range setting (Auto / Full / Limit).  NOTE: If Color Range is set to Auto , the display presents images according to the color range setting of the input source.
Orientation	Sets the direction of the OSD menu displayed on the screen (Landscape / Portrait).
CEC Options	Enables/Disables the HDMI CEC function and configures the devices on the HDMI CEC device list.  NOTE: For more information about the HDMI CEC function see the “HDMI CEC” section on page 49.

Item	Description
Wake On LAN	Enables/Disables the Wake On LAN function that allows the display to be turned on via a network connection.
Auto Wake Up	Enables/Disables the Auto Wake Up function that allows the display to be turned on when it receives an audio/video signal from an HDMI input.
Auto Source	Enables/Disables the Auto Source function that allows the display to detect an audio/video signal from an HDMI input.
	 <p>NOTE:</p> <ul style="list-style-type: none"> When Auto Source is enabled, the display will automatically detect an input signal from the HDMI 1 or HDMI 2 port. If Power Saving is enabled, the display will be put into standby mode if the display does not detect any HDMI input signals after a period of time set in the Power Saving field. If Power Saving is disabled, the display will keep detecting an HDMI input signal.
Boot On Source	Sets the input source that the display automatically opens to when powered on (Home / HDMI 1 / HDMI 2 / Media Player / Last Input).
LOGO On/Off	Turns on/off (Enables/Disables) the boot on logo of the display.
HDMI Version	Sets the HDMI version (HDMI 1.4 / HDMI 2.0).
IR/Keypad Lock	<ul style="list-style-type: none"> Enables/Disables the IR receiver of the display or the IR Extender connected to the display. Enables/Disables the keypad.
	 <p>NOTE: All keys on the remote control will be locked if IR/Keypad Lock is enabled. To unlock the remote control, see the “LOCKING/UNLOCKING THE REMOTE CONTROL” section on page 34.</p>
Language	Changes the OSD Menu language (English / Italian / Dutch / Czech / French / German / Spanish / Polish / Russian / Japanese / Traditional Chinese).
Power Saving	Puts the display into standby mode when no signal is detected from the HDMI input source after a set period of time (30 / 60 / 120 / 240 / 300 / Disable).
	 <p>NOTE: The time is counted by second.</p>
Recovery from Power Off	Sets the automatic power-on status of the display (Force On / Standby / Last Status).
Restore to Default	Resets the OSD menu to its default settings.

TIME

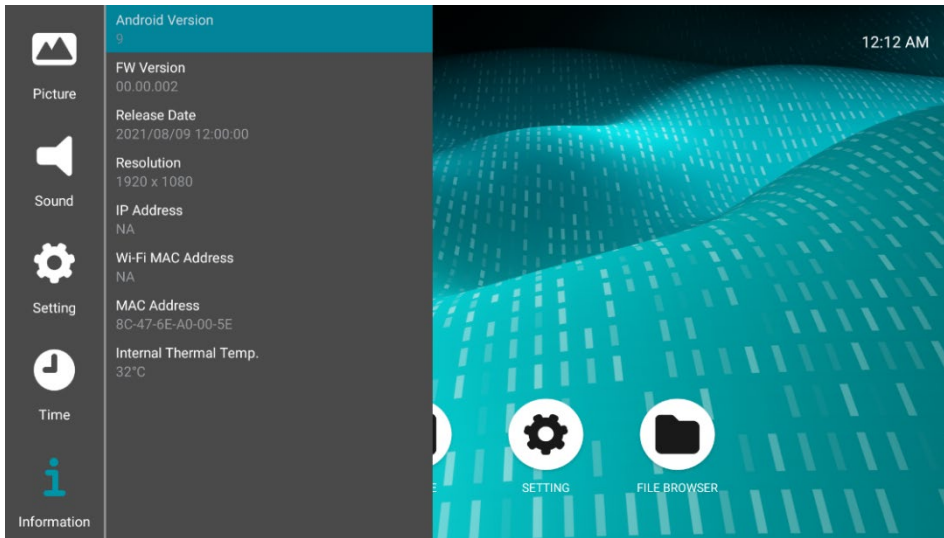
(Sets the display's on/off time)




Item	Description
Date	<p>Sets the date for the display.</p> <hr/> <p> NOTE: The date will be reset when the display is not connected to the Internet and the power plug is removed from the power outlet socket simultaneously.</p>
Current Time	<p>Sets the time for the display.</p> <hr/> <p> NOTE: The time will be reset when the display is not connected to the Internet and the power plug is removed from the power outlet socket simultaneously.</p>
Scheduler	<p>Allows the display to automatically turn on/off at a pre-configured time. The power-on and power-off schedule can be set to execute on day(s) of the week.</p>

INFORMATION

(Lists the display's information)



Item	Description
Android Version	Displays the current Android version.
FW Version	Displays the current firmware version.
Release Date	Displays the release date of the firmware.
Resolution	Displays the current resolution of the display.
IP Address	Displays the IP address when the display is connected to a local network via a wired or wireless connection.
Wi-Fi MAC Address	Displays the Wi-Fi MAC address when the display is connected to a local network.
<p> NOTE: To connect the display to a local network, connect a Wi-Fi dongle to the USB port on the display and then follow the on-screen instructions of the dongle's software to connect the display to the desired network.</p>	
MAC Address	Displays the Ethernet MAC address of the display. The address is pre-set by the manufacturer.
Internal Thermal Temp.	Indicates the temperature inside the display.

TROUBLESHOOTING

If there is no response from the display (no screen):

1. Check if the power adapter is properly connected to the display.
2. Check if the power cord is properly connected to the power adapter.
3. Check if the power cord plug is firmly connected to the AC power outlet socket.
4. Check if the signal source device is powered on and properly connected to the display.
5. In case of voltage instability, wait for the voltage to stabilize and then turn on/off the display again with the remote control or power button.

If the display is powered on and operating but shows no picture:

1. Check if the display's input source setting matches the source device connected to the display.
2. In case of voltage instability, wait for the voltage to stabilize and then turn on/off the display again with the remote control or power button.

If the display shows abnormal (unstable, unfocused, distorted, etc.) images:

1. Check if the signal source device is properly connected to the display.
2. In case of voltage instability, wait for the voltage to stabilize and then turn on/off the display again with the remote control or power button.

If the display shows horizontal and/or vertical blocks/lines:

1. Check if the signal source device is properly connected to the display.
2. In case of voltage instability, wait for the voltage to stabilize and then turn on/off the display again with the remote control or power button.

If you need to adjust the appearance of the fonts for computers featuring Windows 7:

1. Click the Start button at the bottom-left corner on the screen of your computer to open the Start menu.
2. Go to **Control Panel > Appearance and Personalization > Display** and then select **Adjust ClearType text**.



NOTE: Alternatively, you can input “cleartype” in the search field on the Start menu to search for the “Adjust ClearType text” setting.

3. Uncheck the **Turn on ClearType** box to disable the setting and then click **Next**.
4. Follow the on-screen instructions to finish the process.

Before you update the firmware for the display, ALWAYS:

1. Check if the power adapter is properly connected to the display.
2. Check if the power cord is properly to the power adapter.
3. Check if the power cord plug is firmly connected to the AC power outlet socket.



NOTE:

- DO NOT press any buttons on the remote control or display when updating the firmware.
 - The display will reboot automatically when the firmware update is finished.
 - Go to Information > FW Version in the OSD menu to verify that the firmware on the display is up to date.
-



CAUTION: During the firmware update process:

- Make sure that your power source is stable.
- DO NOT disconnect your display from the AC power supply.
- DO NOT turn off your display.

PRÉCAUTION : Pendant le processus de mise à jour du micrologiciel :

- Assurez-vous que votre source d'alimentation est stable.
 - Ne débranchez PAS votre écran de l'alimentation en courant alternatif.
 - N'éteignez PAS votre écran.
-

APPENDIX A: COMMANDS LIST



NOTE: Refer to the “Communication Protocol” document for how to send RS232 commands to the display.

Address	R/W*	Name	Default	Parameter Description
0Fh	R	Operating Hours	0	0 - 65535 hours.
18h	W	Power State	--	1: power off 2: power on
19h	R			
1Ch	W	IR/Keypad Lock	1	1: Unlock all 2: Lock all
1Dh	R			
30h	R	Picture mode	1	Picture mode: 0=Vivid 1=Standard 2=Soft 3=PC 4=User
				31h
32h	W	Video Parameter	--	
33h	R			
34h	W	Color Temperature	--	0: User 2: 11500K 4: 9300K 6: 6500K
35h	R			
36h	W	RGB Gain	--	0-255: R 0-255: G 0-255: B
37h	R			
3A	W	Aspect Ratio	--	0: Aspect 5: Auto 6: FULL
3B	R			
42h	W	Treble/Bass	--	-12 - +12: Treble -12 - +12: Bass (Negative number is 2's complement)
43h	R			

Address	R/W*	Name	Default	Parameter Description	
44h	W	Volume	--	0 – 100: Volume	
45h	R				
5Ah	W	Schedule Time	--	1: Sunday 2: Monday 3: Tuesday 4: Wednesday 5: Thursday 6: Friday 7: Saturday 8: Every day	Working Day
5Bh	R			0 - 23: Start Hour (24 is null) 0 - 59: Start Minute (60 is null) 0 - 23: End Hour (24 is null) 0 - 59: End Minute (60 is null)	
				1: Working Day is active. 0: Working Day is not active.	Active
AIh	R	Information	String	1: Firmware version. Ex. v00.00.006. 2: Date which firmware released. Ex. 2021/01/08 09:46:00	
ACh	W	Input Source Type	--	0Dh: HDMI1	
ADh	R			06h: HDMI2 20h: Launcher	
D0h	R	Thermal	--	-30° - +95 °C (Negative number is 2's complement)	
E0h	W	Backlight	--	0 - 100: Backlight percent %	
E1h	R				

* R: Read; W: Write.

限用物質含有情況標示聲明書

Declaration of the Presence Condition of the Restricted Substances Marking (For Taiwan BSMI)

設備名稱 (Equipment Name) : 彩色液晶顯示器

型號 (型式) (Type designation (Type)) : SN43UNA01.0/ SN55UNA01.0

單元 Unit	限用物質及其化學符號 Restricted substances and its chemical symbols					
	鉛 Lead (Pb)	汞 Mercury (Hg)	鎘 Cadmium (Cd)	六價鉻 Hexavalent chromium (Cr ⁺⁶)	多溴聯苯 Polybrominated biphenyls (PBB)	多溴二苯醚 Polybrominated diphenyl ethers (PBDE)
電路板	—	○	○	○	○	○
外殼	○	○	○	○	○	○
玻璃面板	○	○	○	○	○	○
電源線組	—	○	○	○	○	○

備考 1. “超出 0.1 wt %” 及 “超出 0.01 wt %” 係指限用物質之百分比含量超出百分比含量基準值。

Note 1: “Exceeding 0.1 wt %” and “exceeding 0.01 wt %” indicate that the percentage content of the restricted substance exceeds the reference percentage value of presence condition.

備考 2. “○” 係指該項限用物質之百分比含量未超出百分比含量基準值。

Note 2: “○” indicates that the percentage content of the restricted substance does not exceed the percentage of reference value of presence.

備考 3. “—” 係指該項限用物質為排除項目。

Note 3: The “—” indicates that the restricted substance corresponds to the exemption.

公司名稱：友達光電股份有限公司

公司地址：台灣新竹市 30078 科學工業園區力行二路 1 號

APPENDIX B: HDMI CEC

The HDMI Consumer Electronics Control (HDMI CEC) function allows you to control the display and its input source simultaneously with a remote control.

To use the HDMI CEC function:

1. Connect the source device to the display via the HDMI IN1 port.
2. Add the device into the HDMI CEC device list in the OSD menu.
3. Enable the HDMI CEC function.

The input source will now be automatically powered on/off when the display is turned on/off with its remote control.

One Touch Play

The display will be automatically powered on when the input source is turned on with its remote control.

System Standby

The display will automatically enter standby mode when the input source enters standby mode.

Remote Control Pass Through

You can use the display's remote control to control the input source. The supported keys are listed in the following table:

Operation ID	User Operation
0x00	Select
0x01	Up
0x02	Down
0x03	Left
0x04	Right
0x0D	Exit
0x44	Play & Pause
0x45	Stop



NOTE: There is no guarantee that the display is compatible with all devices that feature the HDMI CEC function on the market.

APPENDIX C: SPECIFICATIONS

Item	Model	PUS43A (SN43UNA01.0)	PUS55A (SN55UNA01.0)
Panel			
LCD Size		43 inch	55 inch
Light Source		E-LED	E-LED
Active Area (H x V)		941.18 x 529.42 mm	1209.6 x 680.4 mm
Resolution		UHD 3840 x 2160 (pixels)	UHD 3840 x 2160 (pixels)
Aspect Ratio		16:9	16:9
Brightness (typ.)		700 cd/m ²	700 cd/m ²
Contrast Ratio (typ.)		4000:1	4000:1
Response Time		8 ms (G to G)	8 ms (G to G)
Frame Rate		60 Hz	60 Hz
Viewing Angle (U/D/L/R)		89/89/89/89 degree	89/89/89/89 degree
Light Life (hr)		50,000 hrs	50,000 hrs
Panel Surface		Haze 2%	Haze 2%
Color gamut		72% NTSC	72% NTSC
Display Color		10 bit (8 bit + FRC)	10 bit (8 bit + FRC)
Power			
Power Supply		External Adapter	External Adapter
		AC (Input) 100-240V, 50-60Hz, 2.5A	AC (Input) 100-240V, 50-60Hz, 2.5A
		DC (Output) 24V, 6.7A, 160.8W	DC (Output) 24V, 6.7A, 160.8W
Power Consumption (typ./max.)		90W / 120W	110W / 150W
Standby Power (Watt @ 100V)		< 0.5W	< 0.5W
Display			
Signal Input		HDMI 2.0 x2, USB 2.0 x2	HDMI 2.0 x2, USB 2.0 x2
Signal Output		Stereo Audio Jack x1	Stereo Audio Jack x1
External Control		RS232C x1 (in, 2.5mm), IR x1 (in, 2.5mm), RJ45 x1	RS232C x1 (in, 2.5mm), IR x1 (in, 3.5mm), RJ45 x1
SDM Slot		N/A	N/A
Speaker		N/A	N/A
Dimension (L x W x D mm)		964.49 x 555.72 x 25 mm	1234 x 703.9 x 34.4 mm
Net Weight (kg)		12.5 kg	21.5 kg
Wall Mounting		(VESA) 400 x 400 mm	(VESA) 400 x 400 mm
Border Width (U/D/R/L)		10.95/10.95/10.95/10.95 mm	10.2/10.2/10.2/10.2 mm
OSD Control		Remote control	Remote control
OSD Language		English / Italian (Italiano) / Dutch (Nederlands) / Czech (Čeština) / French (Français) / German (Deutsch) / Spanish (Español) / Polish (Polski) / Russian (русский) / Japanese (日本語) / Traditional Chinese (繁體中文)	English / Italian (Italiano) / Dutch (Nederlands) / Czech (Čeština) / French (Français) / German (Deutsch) / Spanish (Español) / Polish (Polski) / Russian (русский) / Japanese (日本語) / Traditional Chinese (繁體中文)

Item		Model	PUS43A (SN43UNA01.0)	PUS55A (SN55UNA01.0)
Painting	Front		Black	Black
	Back		Black	Black
Environment				
Operation Temp			0°C – 40°C	0°C – 40°C
Storage Temp			-20°C – 60°C	-20°C – 60°C
Operating Humidity			10% – 80% RH	10% – 80% RH
Storage Humidity			10% – 90% RH	10% – 90% RH
Display Orientation			Landscape / Portrait	Landscape / Portrait
Usage			24 / 7 (hrs / days)	24 / 7 (hrs / days)
Accessory				
Power Cable			160W Adaptor 1.5M x1, US (UL/BSMI/PSE) 1.8M x1 KC (KC/EU) 1.8M x1	160W Adaptor 1.5M x1, US (UL/BSMI/PSE) 1.8M x1 KC (KC/EU) 1.8M x1
Remote Control			x1	x1
Battery			3A x2	3A x2
Quick Start Guide			x1	x1
Cables			HDMI 1.8M x1, RS232 (phone jack type) 1.8M x1, USB extender 1M x1, IR extender 2M x1	HDMI 1.8M x1, RS232 (phone jack type) 1.8M x1, USB extender 1M x1, IR extender 2M x1
Others			Cable Routing Hook x6, Chassis Side Sticker x3, Wall Mount Guide x1, Wall Mount Bracket x2, Screw Anchor x8, Screw x8	Cable Hook x6, Chassis Side Sticker x3, Wall Mount Guide x1, Wall Mount Bracket x2, Screw Anchor x8, Screw x8

Packing Information

Item	Specification			Packing Remark
	Qty.	Dimension (W x H x D)	Gross Weight	
PUS43A (SN43UNA01.0)				
Box with display	1 pcs/box	1130 x 166 x 675 mm	16.5 kg	
Pallet with boxes	18 boxes/pallet (3 layers)	1150 x 1070 x 2157 mm	311.2 kg	Pallet 14.2 kg Pallet 1150 x 1070 x 132 mm *20' DC Container only
	21 boxes/pallet (3 layers)	1180 x 1150 x 2157 mm	361.2 kg	Pallet 14.7 kg Pallet 1180 x 1150 x 132 mm
PUS55A (SN55UNA01.0)				
Box with display	1 pcs/box	1370 x 161 x 900 mm	28.4 kg	
Pallet with boxes	8 boxes/pallet (2 layers)	1390 x 664 x 1938 mm	241.1 kg	Pallet 13.9 kg Pallet 1390 x 664 x 138 mm
	14 boxes/pallet (2 layers)	1390 x 1150 x 1938 mm	415.3 kg	Pallet 17.7 kg Pallet 1390 x 1150 x 138 mm